

Assembling - Maintenance

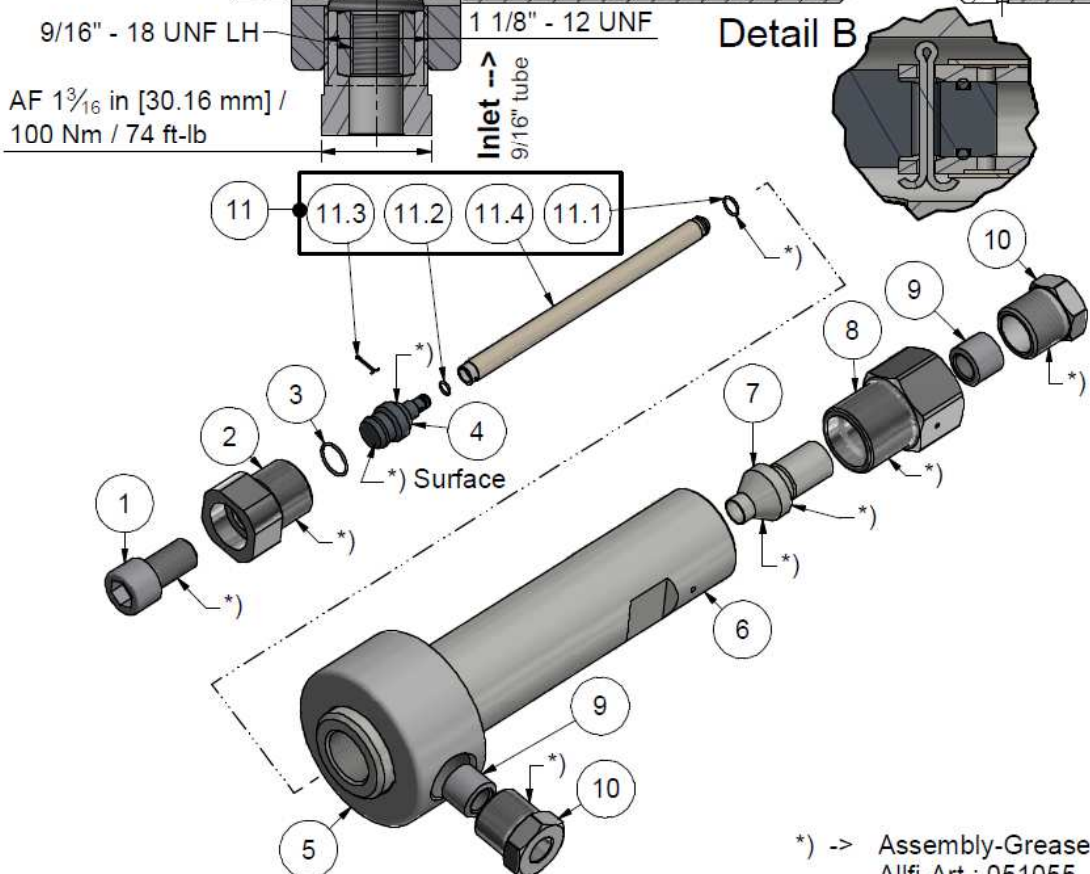
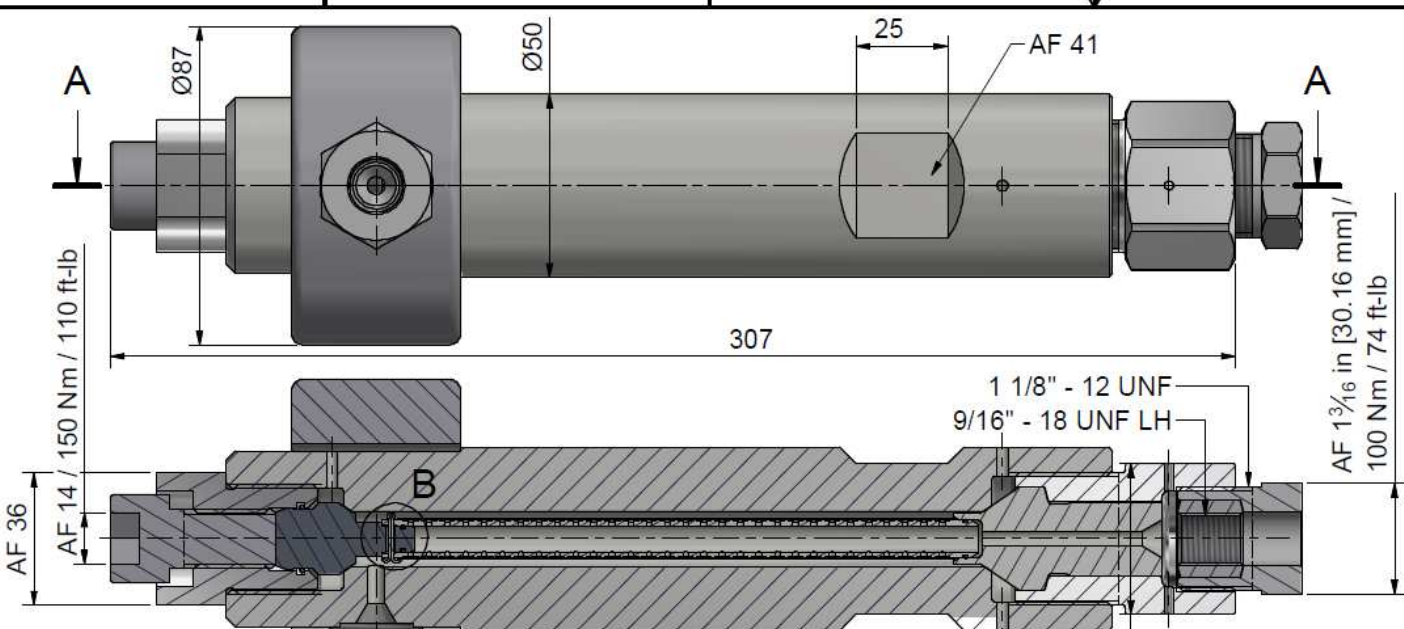
This drawing is appendix A of the installation and maintenance manual "HP-filter angle 9_16".

Complete installation and maintenance instruction refer to QR-Code or:

<https://www.allfi.com/en/services/downloads/product-manuals/>

- Pressure relief holes may not be covered or closed.
- Note flow direction.
- Clogged filters result in high pressure loss, for cleaning see installation and maintenance manual.

Filter-fineness	Filter complete	Filter-cartridge
Without	939100-I	-
10my	939110-I	939125
18my	939118-I	939126
35my	939135-I	939127
50my	939150-I	939128
70my	939170-I	939129



Item	Qty	Description	Part-Number	Comments	Weight
1	1	Screw 9/16"	939108		91.7 g
2	1	Lock-screw 9/16"	939102		211.4 g
3	1	Snap ring 9/16"	939106		0.1 g
4	1	Filter holder 9/16"	939107	Wear part	45.8 g
5	1	Coupling ring 9/16" Imp	939104-I		1399.3 g
6	1	Body 9/16"	939101	Wear part	3028.8 g
7	1	Pressure part 9/16"	939103	Wear part	24.9 g
8	1	Filter nut 9/16" Imp	939111-I		363.7 g
9	2	Collar 9/16"	719100		28.9 g
10	2	Gland Nut 9/16" Imp	709107		14.1 g
11	1	Filter cartridge 9/16"	Refer table	Wear part	57 g
11.1	1	O-Ring	010047	Included in Pos. 11	0 g
11.2	1	O-Ring	010138	Included in Pos. 11	0 g
11.3	1	Split Pin	040134	Included in Pos. 11	0 g

General tolerances ISO 2768-1 mK Designs and drawings created and produced by the contractor are the contractor's intellectual property and may only be used for the purposes of the order. Weight 5.31 kg

Amendment:	Replace for	-
A) Fettangaben geändert, 12.07.2017 AM	Replaced by	-
B) Beschriftung neu definiert, 28.09.2017 AM	Drawn	06.03.2017 AM
C) 0152, Pos. 4,6 & 8 removed, 22.09.2023 AM	Checked	24.03.2017 BT
	Release	24.03.2017 BT
	Index-release	22.03.2024 PH

HP Filter 90° 9/16" 2.0 Imp

Scale
2 : 3

allfi
Components
ALLFI AG - RIEDENMATT 1 - CH-6370 STANS
PHONE +41(0)41-618 05 05
E-MAIL: sales@allfi.com
<http://www.allfi.com>

Max. 4150 bar / 60,000 psi

939100-I C

*) -> Assembly-Grease DX
Allfi-Art.: 051055