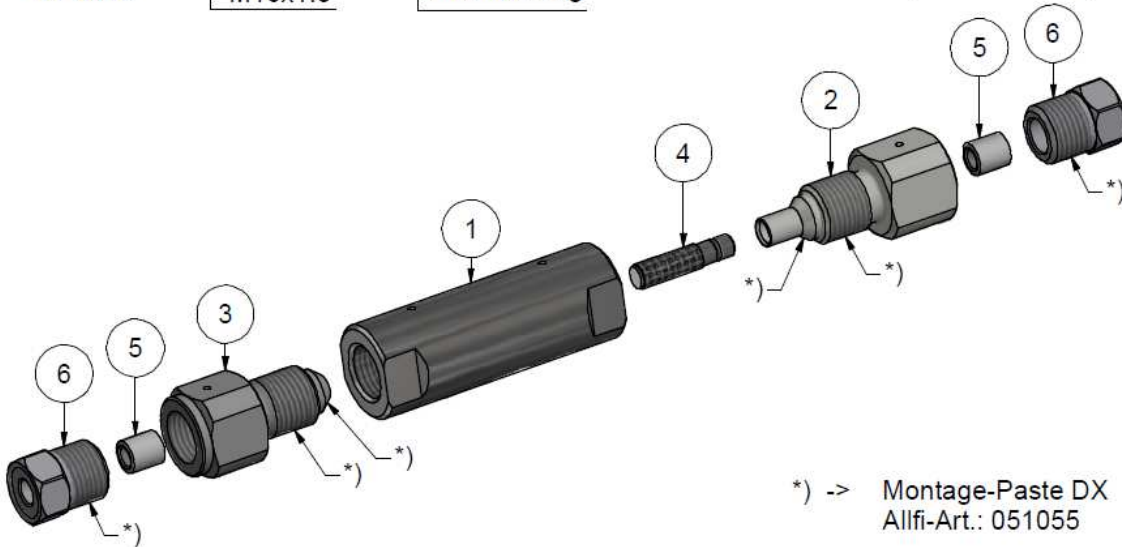


Inlet -->
1/4" tube



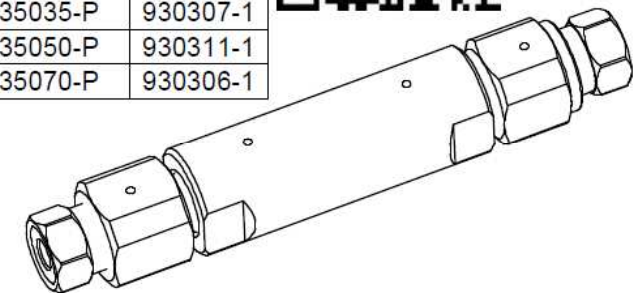
*) -> Montage-Paste DX
Allfi-Art.: 051055

Assembling - Maintenance

This drawing is appendix A of the installation and maintenance instruction "HP-filter straight 2.0 6200bar". Complete installation and maintenance instruction refer to QR-Code or: <https://www.allfi.com/en/services/downloads/product-manuals/>

- Pressure relief holes must not be covered or closed
- Observe Flow direction
- Clogged filters may lead to increased pressure lost. For cleaning please refer to Installation and maintenance instruction.

| Filter-fineness | Filter complete | Filter-cartridge |
|-----------------|-----------------|------------------|
| Without | 935000-P | - |
| 07my | 935007-P | 930312-1 |
| 10my | 935010-P | 930309-1 |
| 18my | 935018-P | 930304-1 |
| 35my | 935035-P | 930307-1 |
| 50my | 935050-P | 930311-1 |
| 70my | 935070-P | 930306-1 |



| Item | Qty | Description | Part-Number | Comments | Weight |
|------|-----|--------------------------|-------------|-----------|---------|
| 1 | 1 | Filter case 2.0 | 935054-P | Wear part | 231.4 g |
| 2 | 1 | Filter Screw 2.0 | 935051-P | Wear part | 86.5 g |
| 3 | 1 | Sealing Screw 2.0 | 935055-P | Wear part | 83.2 g |
| 4 | 1 | Filter cartridge | | Wear part | 5 g |
| 5 | 2 | Collar 1/4" | 711403 | | 3.1 g |
| 6 | 2 | Gland Nut 1/4" 90.000psi | 701403-P | | 27.9 g |

General tolerances ISO 2768-1 mK
Designs and drawings created and produced by the contractor are the contractor's intellectual property and may only be used for the purposes of the order.

Amendment:

A) Verschlusschrauben neu, 18.03.2022 AM

Replace for -

Replaced by -

Drawn 25.01.2022 AM

Checked 13.04.2022 GB

Release 13.04.2022 GB

Index-release 13.04.2022 GB

HP-filter straight 2.0

Scale

3 : 2

Max 6200 bar / 90,000 psi



ALLFI AG - RIEDENMATT 1 - CH-6370 STANS

PHONE +41(0)41-618 05 05

E-MAIL: sales@allfi.com

<http://www.allfi.com>

935000-P

Index

Sheet-

No. of

sheets

2

2