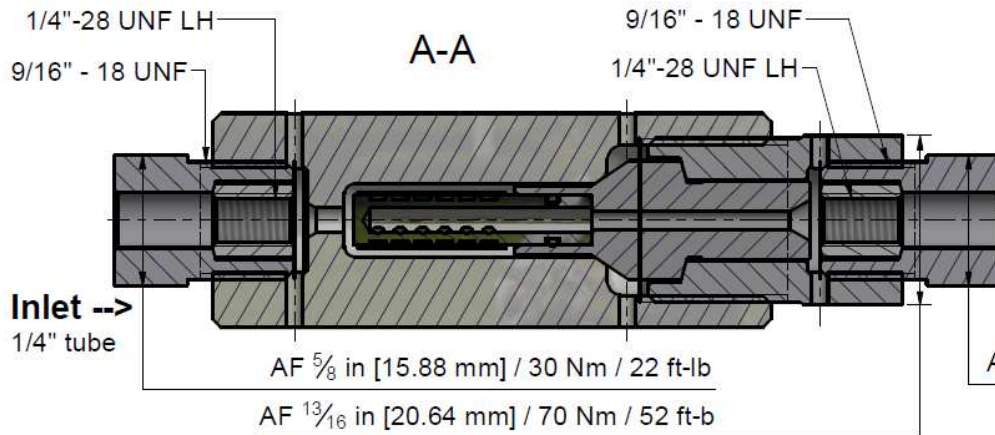
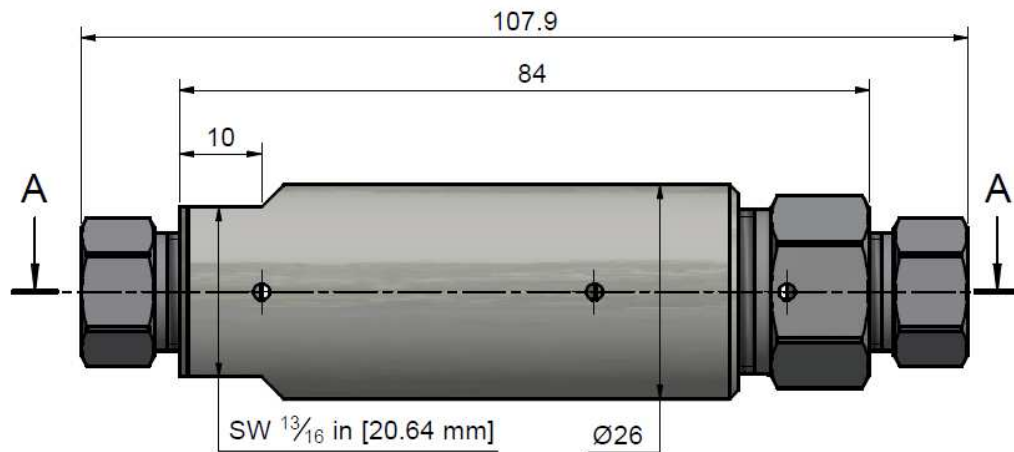


Assembling - Maintenance

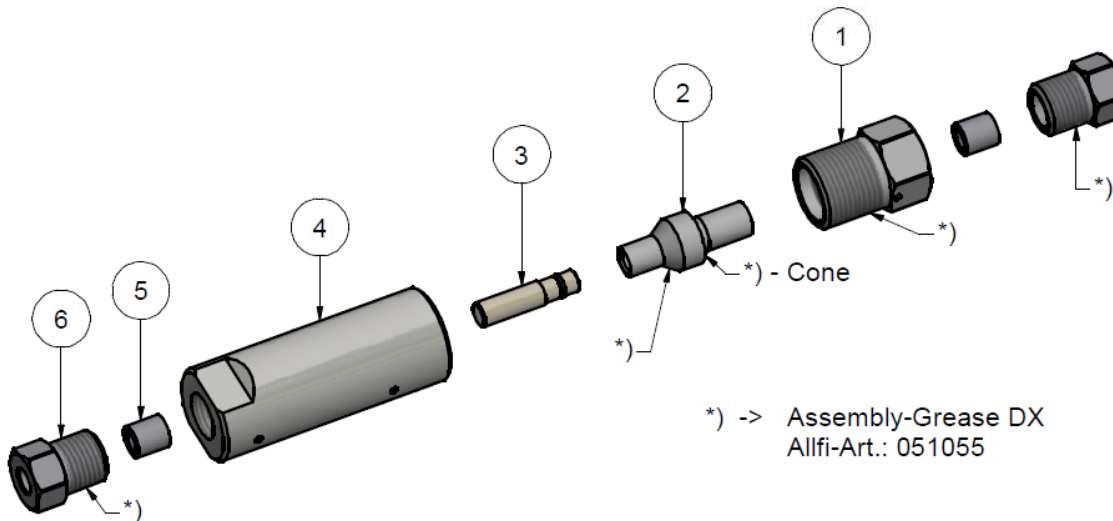
This drawing is appendix A of the installation and maintenance manual "HP Filter Straight Mini 2.0".

Complete installation and maintenance instruction refer to QR-Code or:
<https://www.allfi.com/en/services/downloads/product-manuals/>

- Pressure relief holes may not be covered or closed.
- Note flow direction.
- Clogged filters result in high pressure loss, for cleaning see installation and maintenance manual.



Filter-fineness	Filter complete	Filter-cartridge
Without	935000-I	-
7my	935007-I	930312-I
10my	935010-I	930309-1
18my	935018-I	930304-1
35my	935035-I	930307-1
50my	935050-I	930311-1
70my	935070-I	930306-1



*) -> Assembly-Grease DX
Allfi-Art.: 051055

Item	Qty	Description	Part-Numbe	Characteristics	Weight
1	1	Filter Nut 2.0 Imp.	935053-I		53.2 g
2	1	Filter holder 2.0	935051	Wear part	21.7 g
3	1	Filter Cartridge			5 g
4	1	Filter case 2.0 Imp.	935052-I		206.7 g
5	2	Collar 1/4"	711403		3.1 g
6	2	Gland Nut 1/4" Imp	701407		22.8 g

General tolerances ISO 2768-1 mK Designs and drawings created and produced by the contractor are the contractor's intellectual property and may only be used for the purposes of the order. Weight 0.34 kg

Amendment:		Replace for	-
		Replaced by	-
		Drawn	23.09.2016 AM
HP-filter straight 2.0 Imp		Checked	18.01.2018 RB
		Release	18.01.2018 RB
		Index-release	

	Scale		3 : 2	Max 4150 bar / 60,000 psi
	ALLFI AG - RIEDENMATT 1 - CH-6370 STANS PHONE +41(0)41-618 05 05 E-MAIL: sales@allfi.com			
http://www.allfi.com			935000-I	