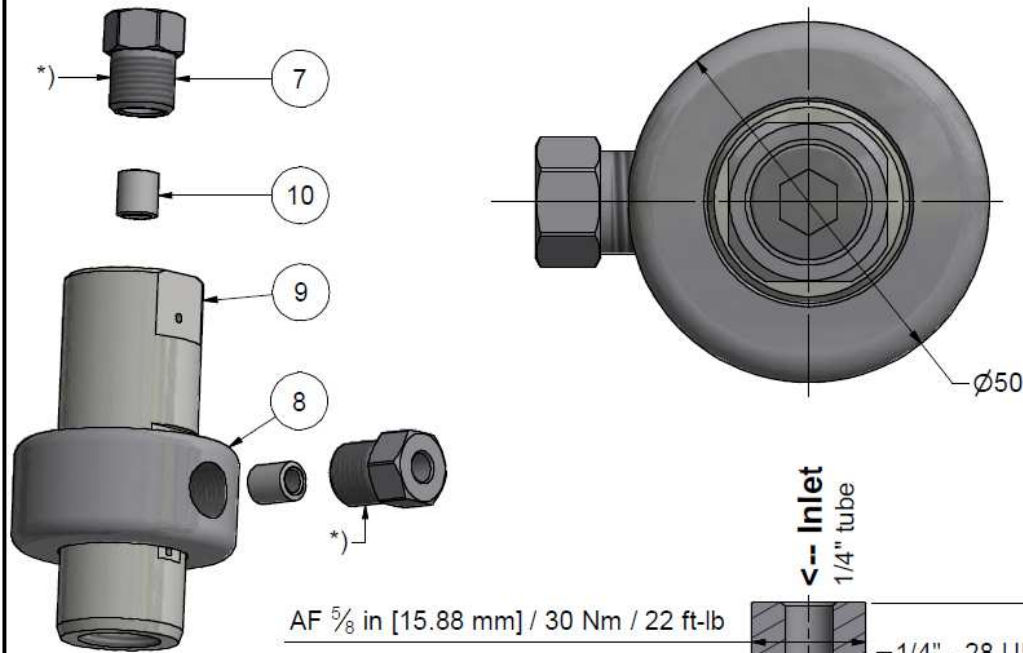


Assembling - Maintenance

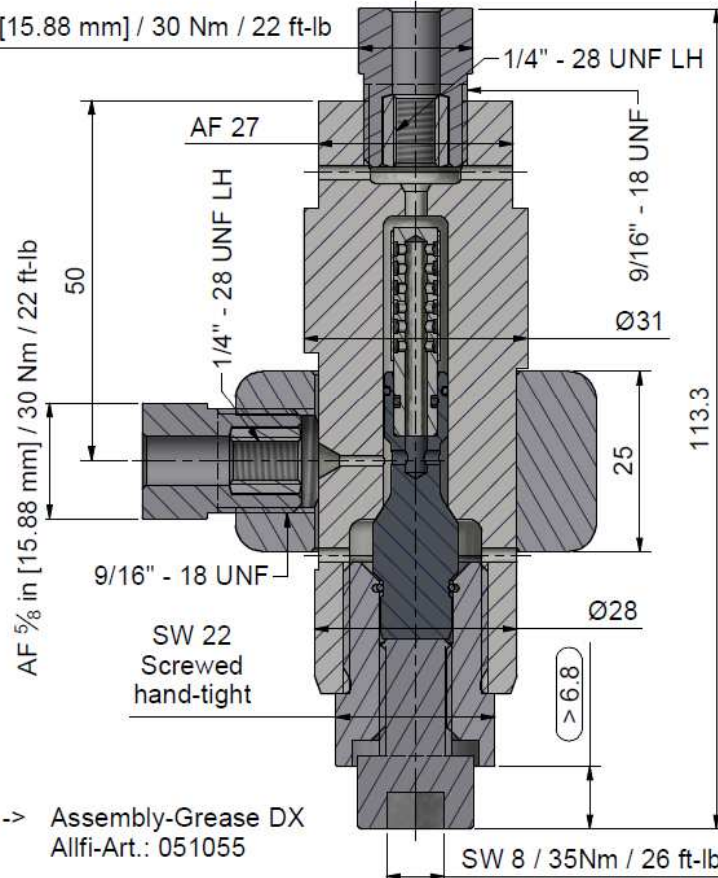
This drawing is appendix A of the installation and maintenance manual "HD-Filter 90° 2.0".
The complete installation and maintenance manual is hosted at www.allfi.com
- Pressure relief holes may not be covered or closed



Filtration-rating	Filter complete	Filter-element
Without	931300-I	-
07my	931307-I	930312-1
10my	931310-I	930309-1
18my	931318-I	930304-1
35my	931335-I	930307-1
50my	931350-I	930311-1
70my	931370-I	930306-1



AF $\frac{5}{8}$ in [15.88 mm] / 30 Nm / 22 ft-lb



*) -> Assembly-Grease DX
Allfi-Art.: 051055

Item	Qty	Description	Part-Number	Comments	Weight
1	1	Screw	931355		23.3 g
2	1	Lock-screw	931354		54.9 g
3	1	Snap ring	931356		0 g
4	1	Filter holder	931353		17.8 g
5	1	O-Ring	010065		0 g
6	1	Filter cartridge		Wear part	5 g
7	2	Gland Nut 1/4" Imp	701407		22.8 g
8	1	Coupling Ring Imp.	931051-I		240.3 g
9	1	Body Imp	931352-I	Wear part	354.7 g
10	2	Collar 1/4"	711403		3.1 g

General tolerances ISO 2768-1 mK Designs and drawings created and produced by the contractor are the contractor's intellectual property and may only be used for the purposes of the order. Weight 0.75 kg

Amendment: A) Beschriftung angepasst, 29.08.2017 AM	Replace for -
	Replaced by -
	Drawn 17.11.2016 AM
	Checked 24.07.2017 RB
	Release 23.04.2018 RB
	Index-release 01.09.2017 RB

HP Filter 90° 2.0 Imp

Scale
4 : 3



ALLFI AG - RIEDENMATT 1 - CH-6370 STANS
PHONE +41(0)41-618 05 05 - TELEFAX +41(0)41-618 05 10
E-MAIL: sales@allfi.com <http://www.allfi.com>

Max. 4150 bar / 60,000 psi
Metallic sealing

931300-I

Index	Sheet-No.	2
A	No. of sheets	2