

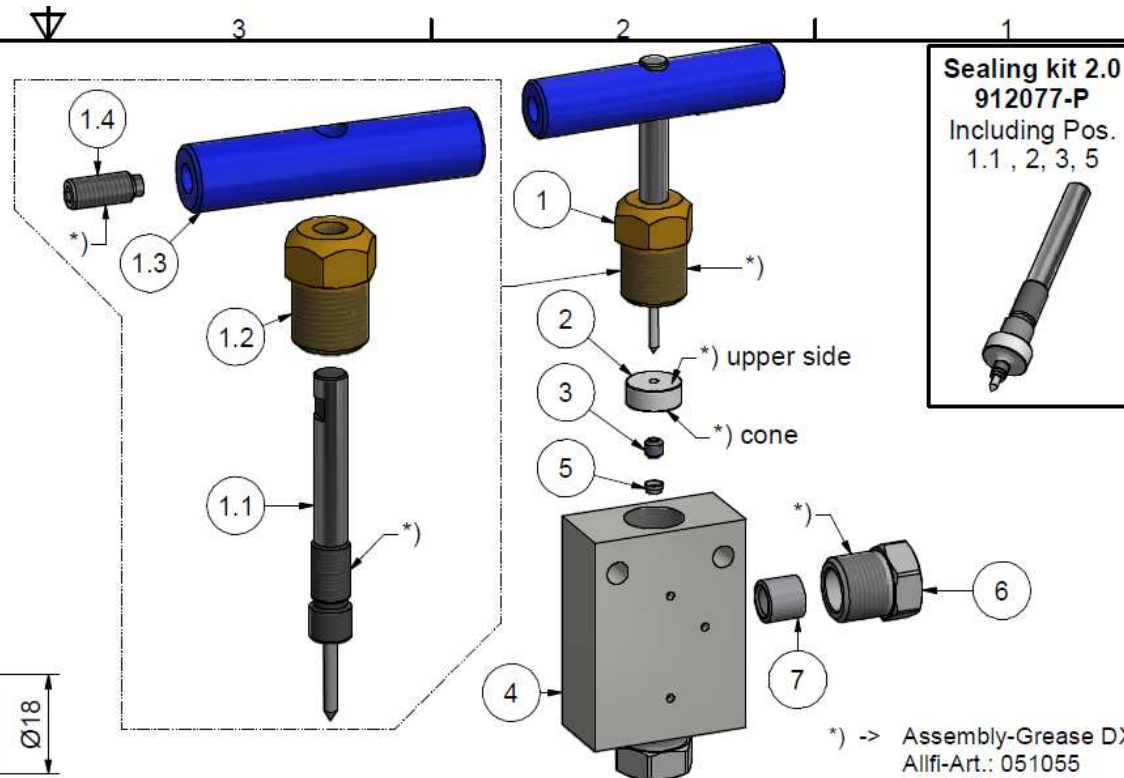
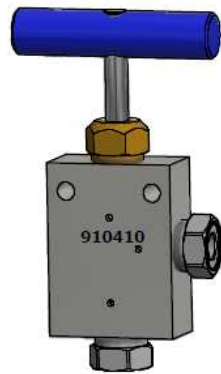
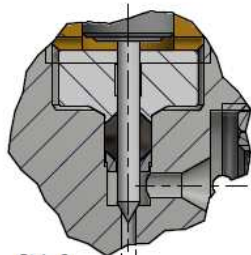
# Assembling - Maintenance

This drawing is appendix A of the installation and maintenance instruction "Hand Valve 2.0".  
The complete installation and maintenance instruction is hosted at:  
<https://www.allfi.com/en/services/downloads/product-manuals/>

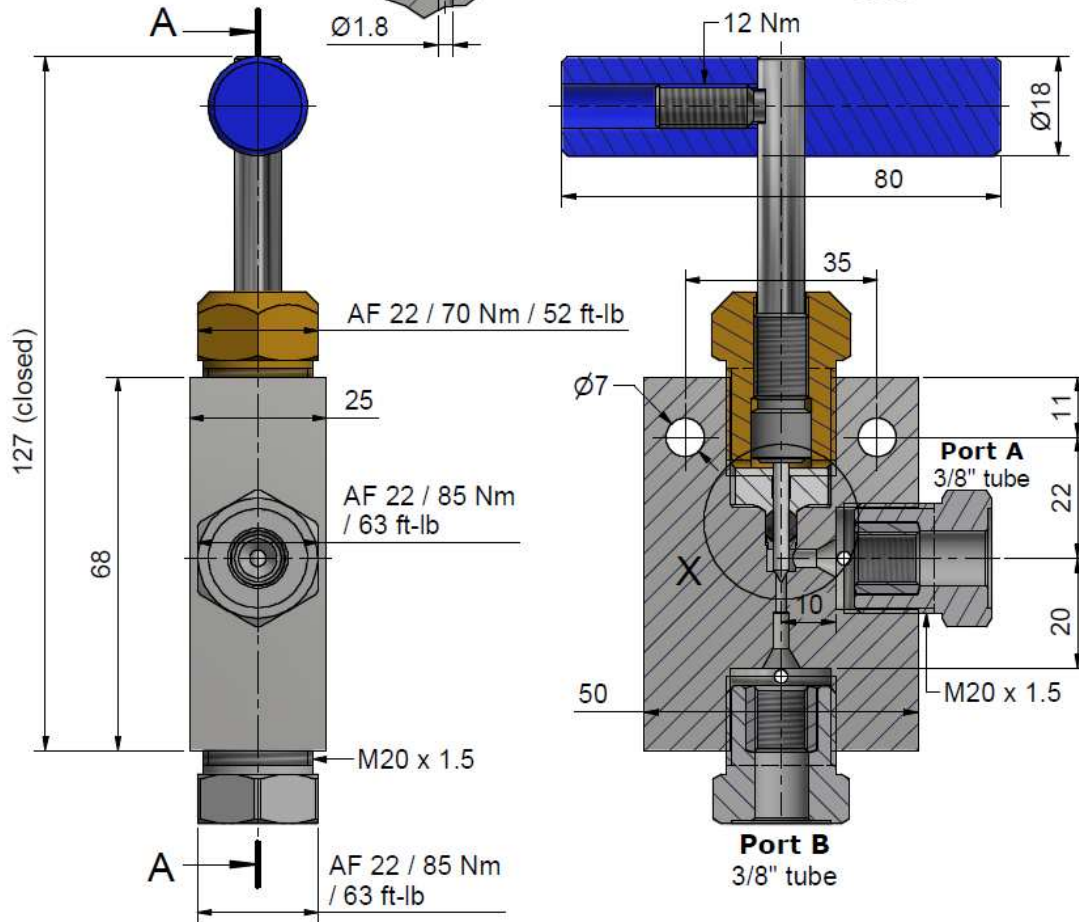
- Pressure relief holes must not be covered or closed.



Detail X (3 : 2)



**Sealing kit 2.0**  
**912077-P**  
Including Pos.  
1.1, 2, 3, 5



Item	Qty	Description	Part-Number	Comments	Weight
1	1	Spindle complete 2.0	910062-P		169.4 g
1.1	1	Needle with spindle 2.0	912059-P	Wear part	39.4 g
1.2	1	Spindle Nut 2.0	912058		75.1 g
1.3	1	Clamp Handle 2.0	912057		48.2 g
1.4	1	Screw	000044		6.7 g
2	1	Pressure plate 2.0	912053-P	Wear part	12.1 g
3	1	HP-Seal 2.0	912052-P	Wear part	0.6 g
4	1	Valve Body angle 3/8" 2.0	912066-P	Wear part	532 g
5	1	Conical disc 2.0	912062-P	Wear part	0.2 g
6	2	Gland Nut 3/8"	703800-P		46.1 g
7	2	Collar 3/8"	713800		6.8 g

General tolerances ISO 2768-1 m

Designs and drawings created and produced by the contractor are the contractor's intellectual property and may only be used for the purposes of the order.

Amendment:

Replace for	
Replaced by	
Drawn	11.03.2024 AM
Checked	18.03.2024 PH
Release	18.03.2024 PH
Index-release	

**Hand Valve 2-Way Angle 3/8" 2.0**

Scale 1 : 1

Max 6200 bar / 90,000 psi

**910410-P**

ALLFI AG - RIEDENMATT 1 - CH-6370 STANS  
PHONE +41(0)41-618 05 05 - TELEFAX +41(0)41-618 05 10  
E-MAIL: sales@allfi.com http://www.allfi.com

Index	Sheet-No.	2
	No. of sheets	2