

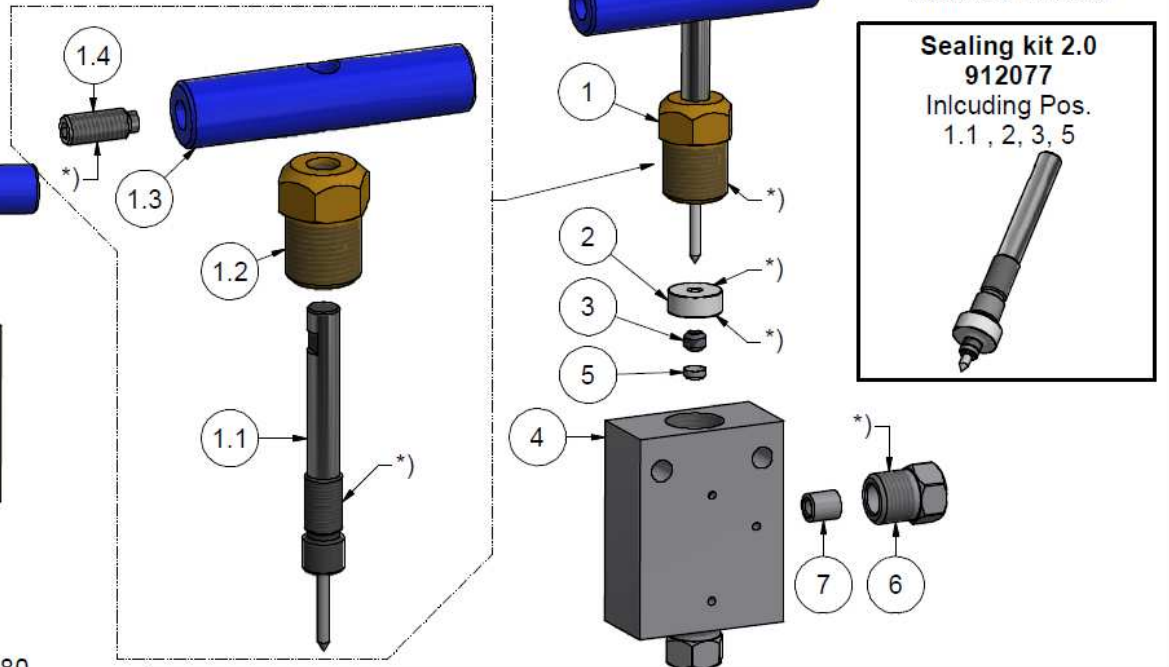
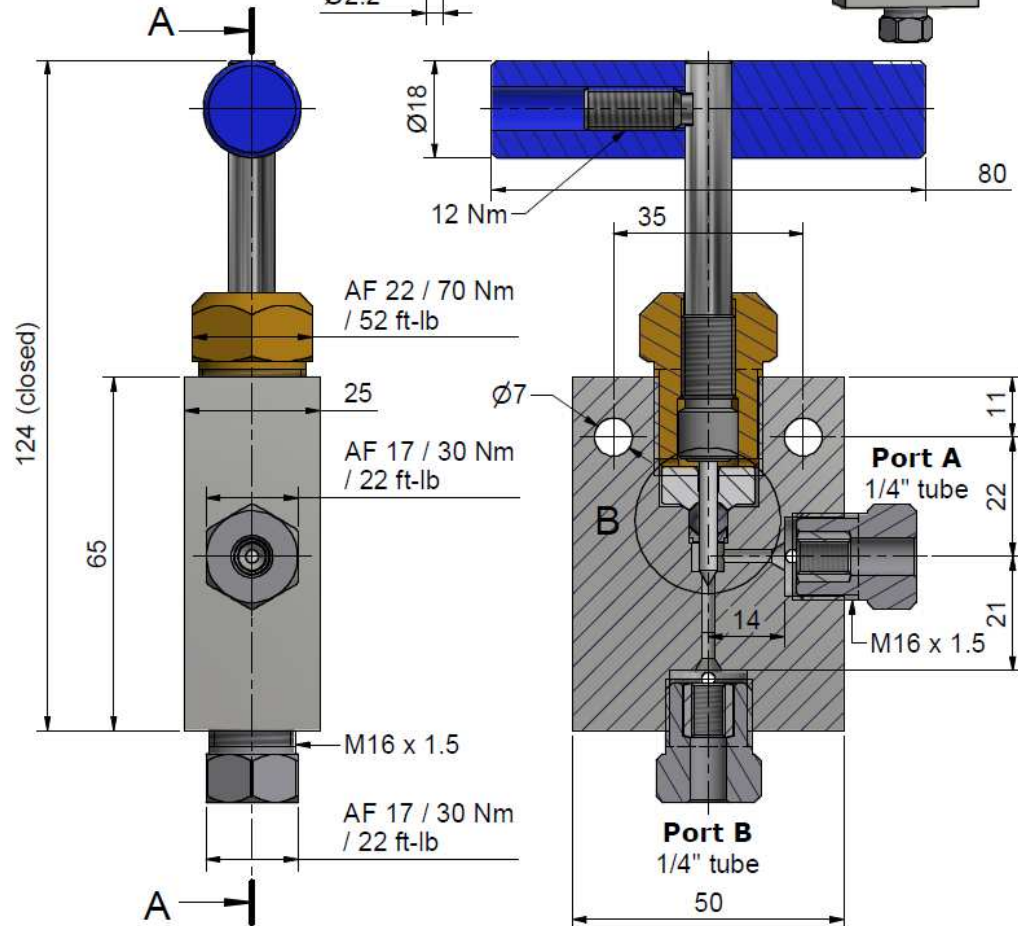
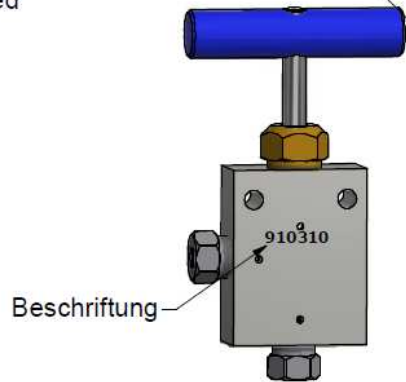
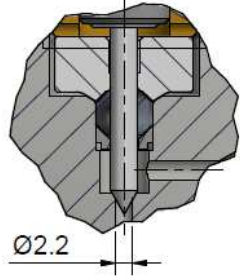
# Assembling - Maintenance

This drawing is appendix A of the installation and maintenance instruction "Hand valve 2.0".  
The complete installation and maintenance instruction is hosted at [www.allfi.com](http://www.allfi.com)

- Pressure relief holes must not be covered or closed



Detail B ( 3 : 2 )



**Sealing kit 2.0**  
**912077**  
Including Pos.  
1.1, 2, 3, 5

Item	Qty	Description	Part-Number	Comments	Weight
1	1	Spindle complete 2.0	910062		169.9 g
1.1	1	Needle with spindle 2.0	912059	Wear part	39.9 g
1.2	1	Spindle Nut 2.0	912058		75.1 g
1.3	1	Clamp Handle 2.0	912057		48.2 g
1.4	1	Screw	000044		6.7 g
2	1	Pressure plate 2.0	912053	Wear part	11.8 g
3	1	HP-Seal 2.0	912052	Wear part	1 g
4	1	Valve Body angle 1/4" 2.0	912063	Wear part	68.7 g
5	1	Conical disc 2.0	912062	Wear part	0.4 g
6	2	Gland Nut 1/4"	701403		29.1 g
7	2	Collar 1/4"	711403		3.1 g

General tolerances ISO 2768-1 mK Designs and drawings created and produced by the contractor are the contractor's intellectual property and may only be used for the purposes of the order. Weight 0.32 kg

Amendment:	Replace for	912001, 910300
A) Stückliste, Blatt 2 & Bohrung neu, 15.11.2017 AM	Replaced by	-
	Drawn	02.08.2016 AM
	Checked	02.05.2017 RB
	Release	29.05.2017 BT
	Index-release	16.11.2017 RB

## Hand Valve 2-Way Angle 1/4" 2.0

Scale  
1 : 1

**allfi**  
Components

ALLFI AG - RIEDENMATT 1 - CH-6370 STANS  
PHONE +41(0)41-618 05 05  
E-MAIL: [sales@allfi.com](mailto:sales@allfi.com) <http://www.allfi.com>

Max 4150 bar / 60,000 psi  
Hand Valve 2.0

**910310**

Index	Sheet-	2
A	No. of	2
	sheets	