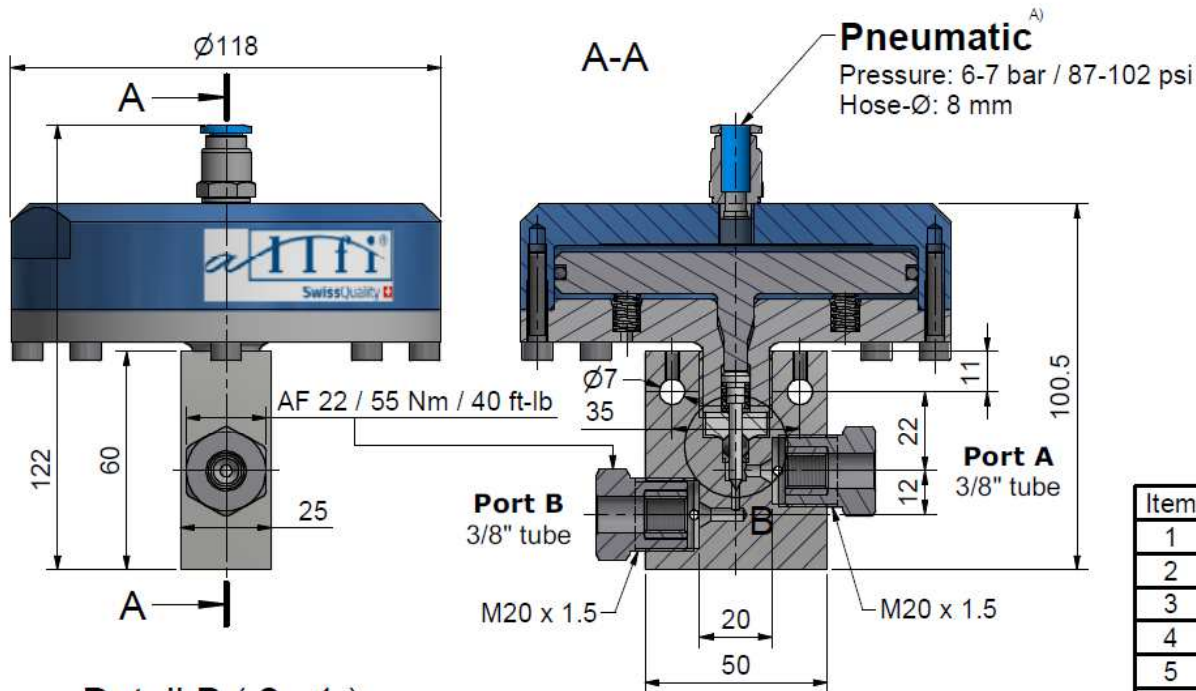
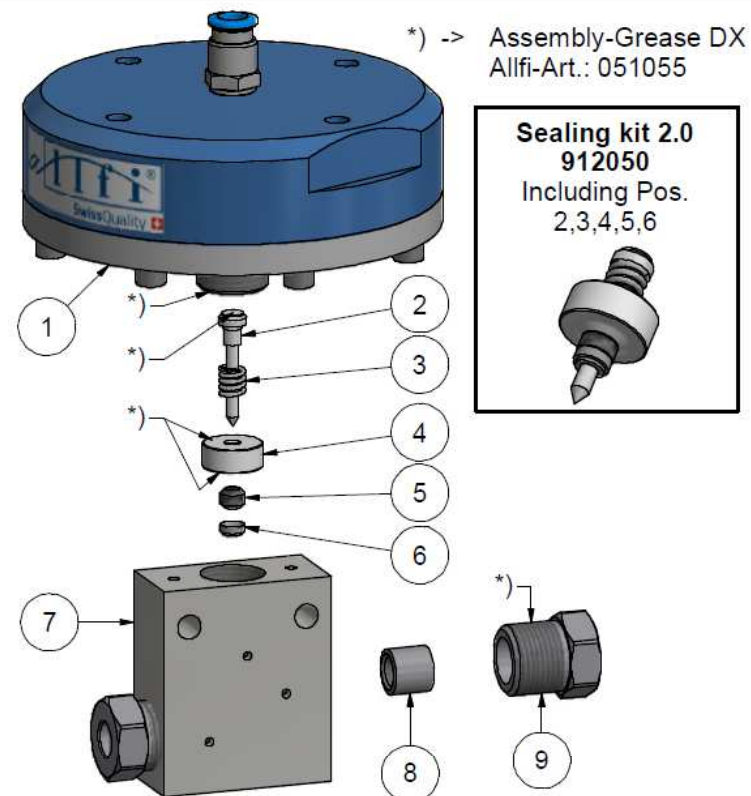


Assembling - Maintenance

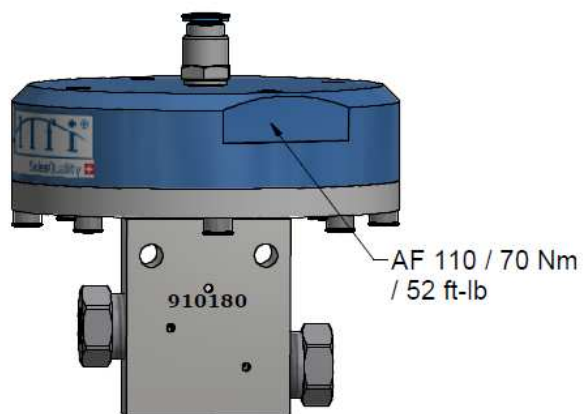
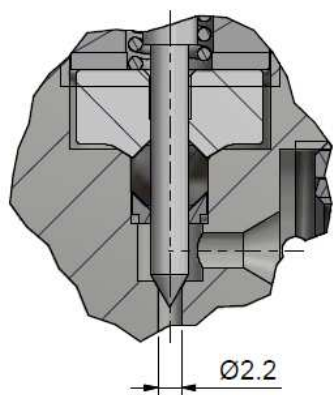
This drawing is appendix A of the installation and maintenance instruction "Pneumatic Valve 2.0".

Complete installation and maintenance instruction refer to QR-Code or:
<https://www.allfi.com/en/services/downloads/product-manuals/>

- Pressure relief holes must not be covered or closed.
- Pneumatic cylinder must not be pressurized during assembly & disassembly.



Detail B (2 : 1)



Item	Qty	Description	Part-Number	Comments	Weight
1	1	Pneumatic Cylinder 2.0 NO	912290		2120.3 g
2	1	Needle complete 2.0	912076	Wear part	2.2 g
3	1	Spring	021033		0.1 g
4	1	Pressure plate 2.0	912053	Wear part	11.8 g
5	1	HP-Seal 2.0	912052	Wear part	1 g
6	1	Conical disc 2.0	912062	Wear part	0.4 g
7	1	Valve Body straight 3/8" 2.0	912065	Wear part	451.6 g
8	2	Collar 3/8"	713800		6.8 g
9	2	Gland Nut 3/8"	703800		48.1 g

General tolerances ISO 2768-1 m Designs and drawings created and produced by the contractor are the contractor's intellectual property and may only be used for the purposes of the order.

Amendment: A) 0080, Air pressure redefined, 27.10.2021 AM	Replace for 915100
	Replaced by -
Drawn 23.03.2017 AM	Checked 13.12.2017 RB
	Release 13.12.2017 RB
	Index-release 28.10.2021 RB

Pneum. Valve 2-Way Straight 3/8" NO 2.0

Scale
2 : 3



ALLFI AG - RIEDENMATT 1 - CH-6370 STANS
 PHONE +41(0)41-618 05 05 - TELEFAX +41(0)41-618 05 10
 E-MAIL: sales@allfi.com http://www.allfi.com

Max 4150 bar / 60,000 psi
Normally open

910180

Index	Sheet-	2
	No.	
	No. of	2
	sheets	