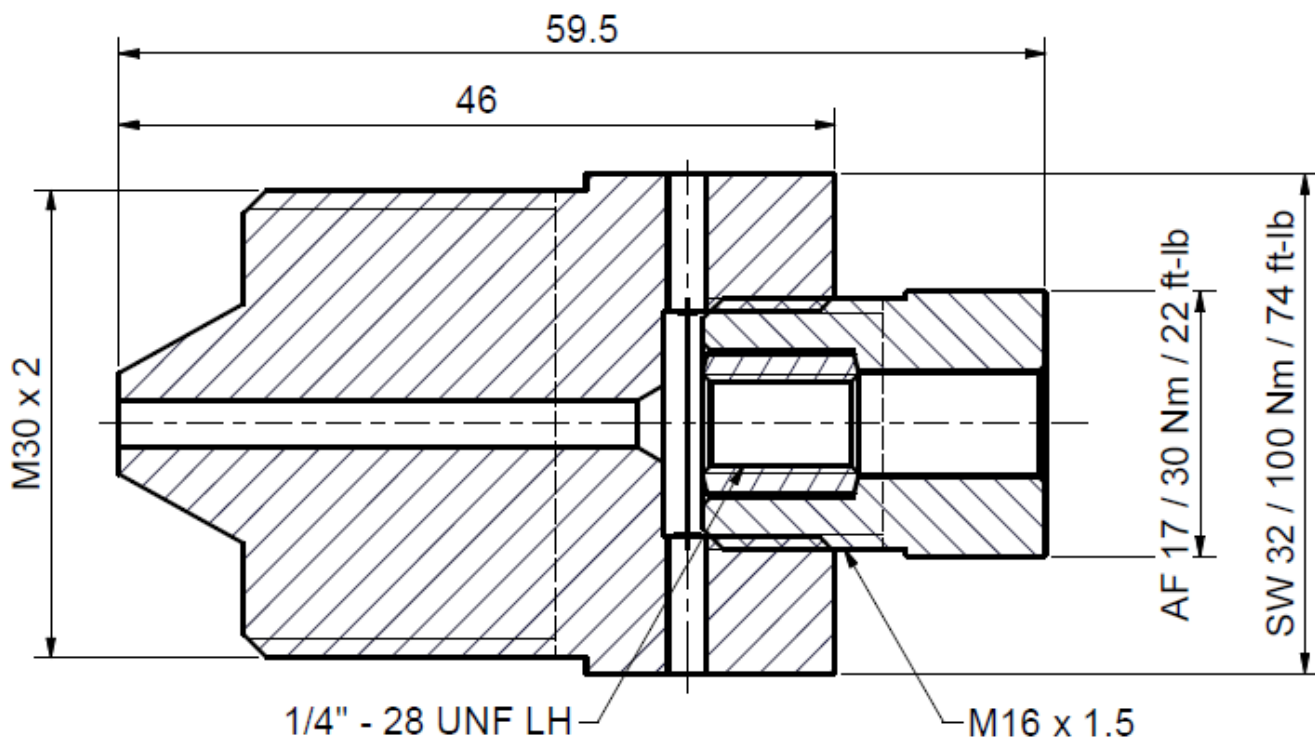
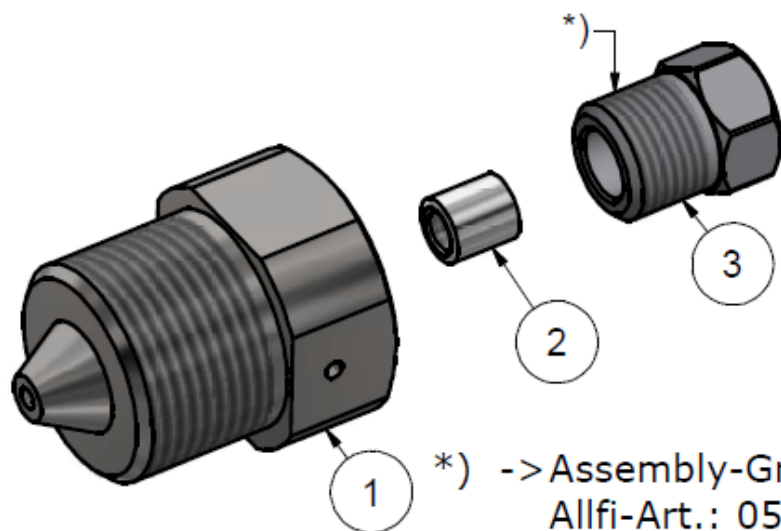


Pressure relief holes must not be covered or closed



Item	Qty	Description	Part-Number	Characteristics	Weight
1	1	Reducer Coupling m/f 9/16" - 1/4"	659114A-P		28.8 g
2	1	Collar 1/4"	711403		3.1 g
3	1	Gland Nut 1/4"	701403		29.1 g

General tolerances ISO 2768-1 mK

Designs and drawings created and produced by the contractor are the contractor's intellectual property and may only be used for the purposes of the order.

Weight
0.06 kg

Amendment:

A) 0058, Drehmoment angepasst, 11.02.2020 AM

Replace for	-
Replaced by	-
Drawn	24.10.2016 AM
Checked	
Release	
Index-release	

Reducer Coupling m/f 9/16" - 1/4"

Scale
2 : 1



ALLFI AG - RIEDENMATT 1 - CH-6370 STANS
PHONE +41(0)41-618 05 05
E-MAIL: sales@allfi.com

<http://www.allfi.com>

Max. 4150 bar / 60,000 psi

659114

Index	Sheet-	2
A	No.	
	No. of	2
	sheets	