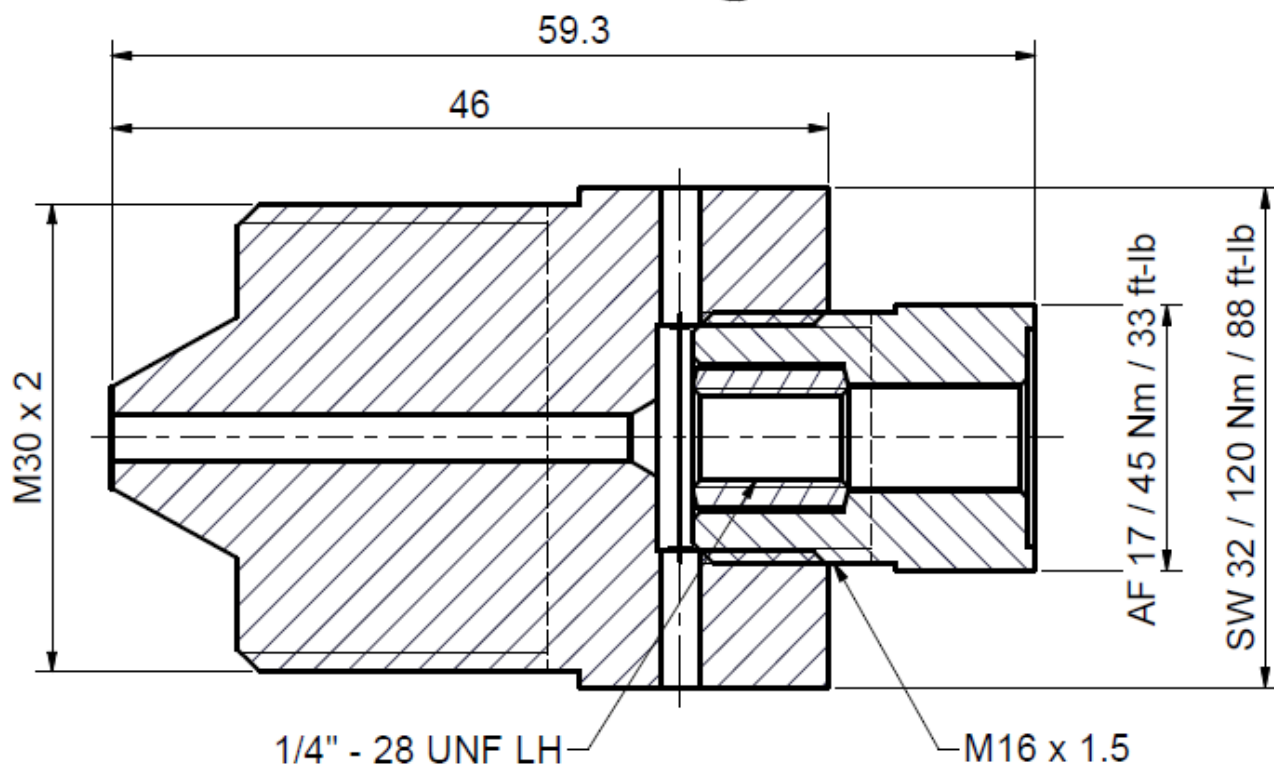
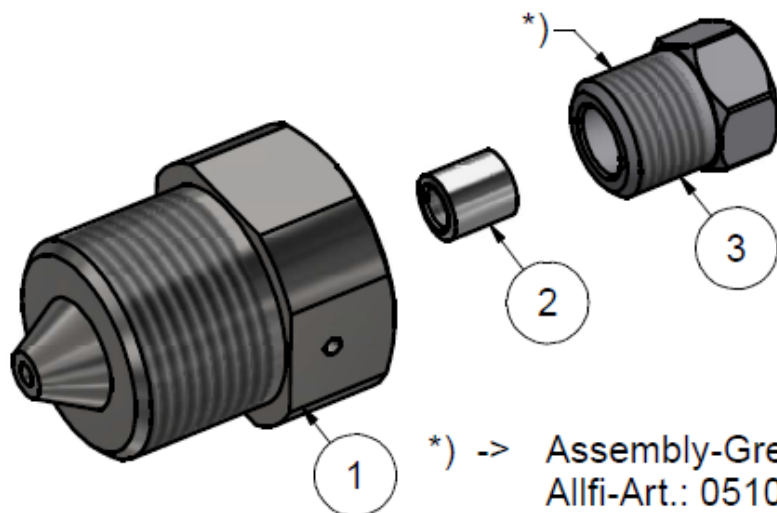


Pressure relief holes must not be covered or closed



Item	Qty	Description	Part-Number	Comments	Weight
1	1	Reducer Coupling m/f 9/16" -1/4"	659114A-P		28.8 g
2	1	Collar 1/4"	711403		3.1 g
3	1	Gland Nut 1/4" 90.000psi	701403-P		27.9 g

General tolerances ISO 2768-1 m

Designs and drawings created and produced by the contractor are the contractor's intellectual property and may only be used for the purposes of the order.

Weight 0.06 kg

Amendment:

Replace for	-
Replaced by	-
Drawn	21.11.2019 AM
Checked	
Release	
Index-release	

Reducer Coupling m/f 9/16" - 1/4"

Scale
2 : 1



ALLFI AG - RIEDENMATT 1 - CH-6370 STANS
PHONE +41(0)41-618 05 05 - TELEFAX +41(0)41-618 05 10
E-MAIL: sales@allfi.com http://www.allfi.com

Max. 6200 bar / 90,000 psi

659114-P

Index	-	Sheet- No.	2
		No. of sheets	2