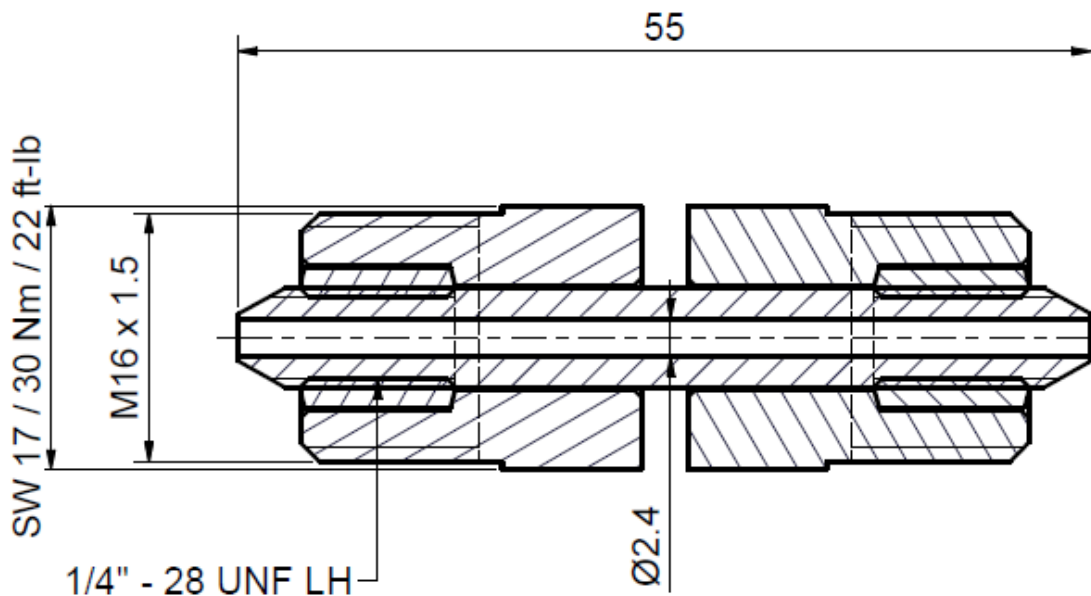


*) -> Assembly-Grease DX
Allfi-Art.: 051055



Item	Qty	Description	Part-Number	Characteristics	Weight
1	1	HP-tube 1/4" L=55mm	801402-0055		11.3 g
2	2	Gland Nut 1/4"	701403		29.1 g
3	2	Collar 1/4"	711403		3.1 g

General tolerances ISO 2768-1 m Designs and drawings created and produced by the contractor are the contractor's intellectual property and may only be used for the purposes of the order. Weight 0.08 kg

Amendment:

A) Neu HD-Rohr als Körper verwendet, 21.06.2016 AM

Replace for -

Replaced by -

Drawn 17.07.2006 sl

Checked 18.01.2018 RB

Release 18.01.2018 RB

Index-release 18.11.2018 RB

Adjustable double Nipple 1/4"

Scale
2 : 1



ALLFI AG - RIEDENMATT 1 - CH-6370 STANS
PHONE +41(0)41-618 05 05
E-MAIL: sales@allfi.com

<http://www.allfi.com>

Max. 4150 bar / 60,000 psi

611414

Index	Sheet- No.	2
A	No. of sheets	2