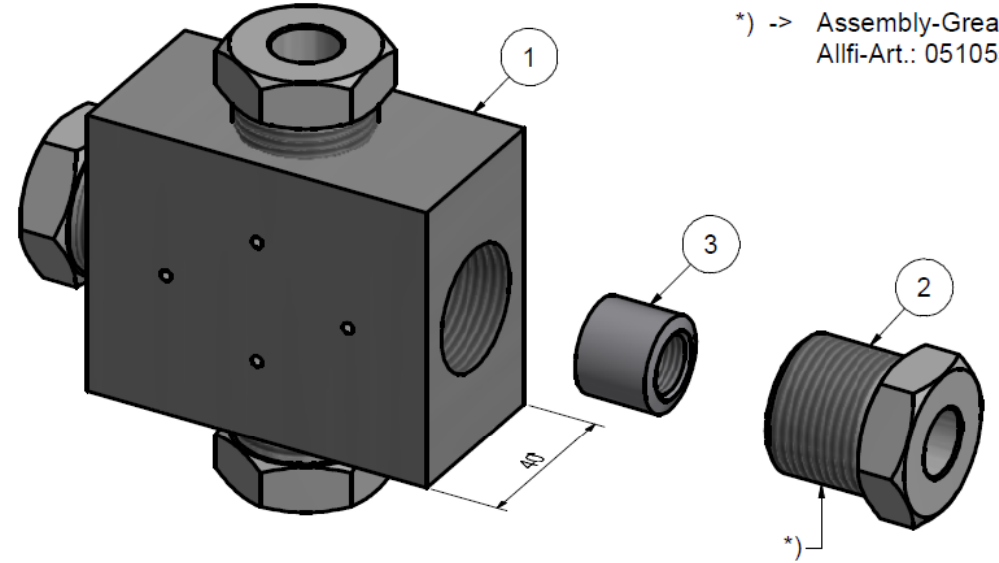
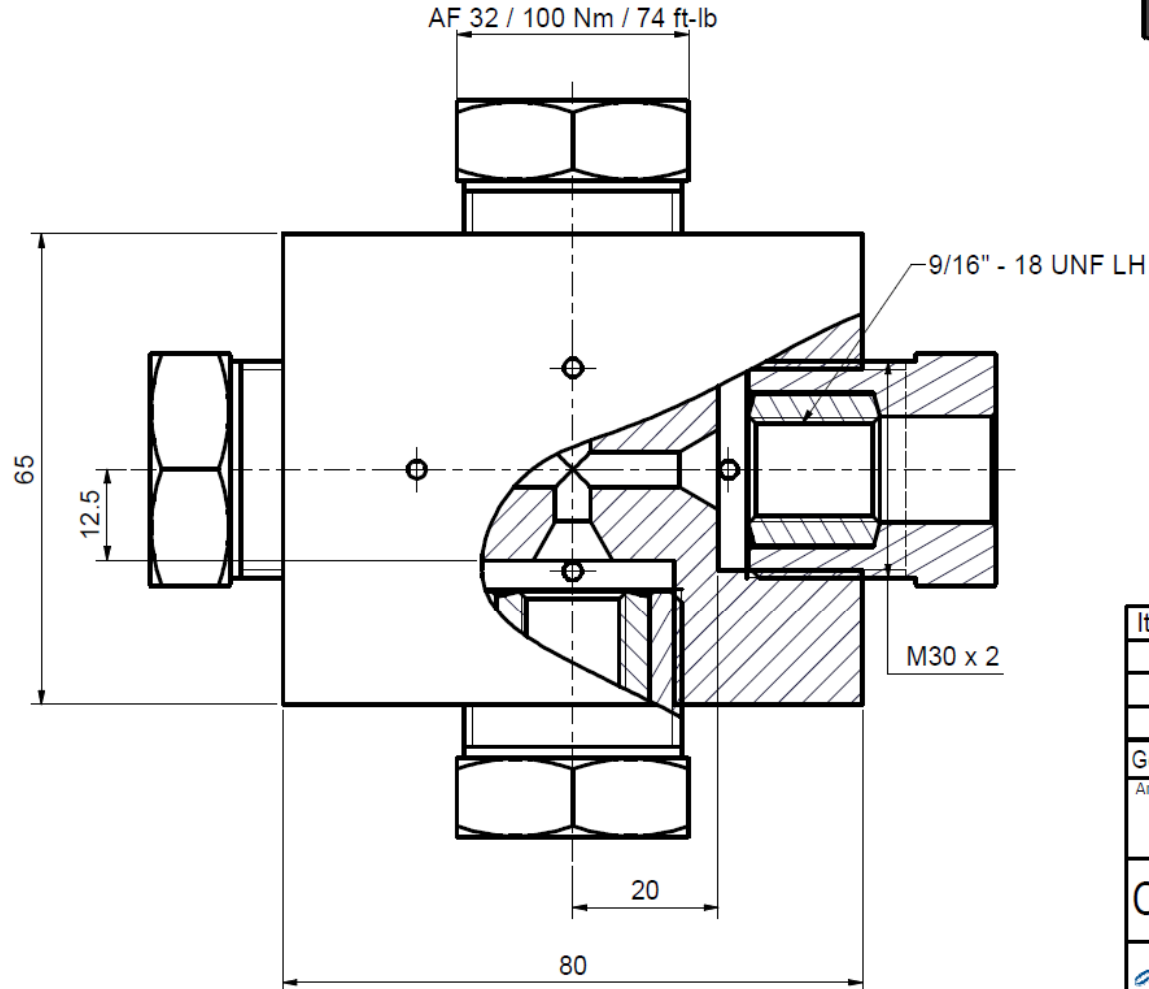


Pressure relief holes must not be covered or closed

\*) -> Assembly-Grease DX  
Allfi-Art.: 051055



AF 32 / 100 Nm / 74 ft-lb



| Item | Qty | Description     | Part-Number | Comments | Weight  |
|------|-----|-----------------|-------------|----------|---------|
| 1    | 1   | Cross 9/16"     | 409191A-P   |          | 157.3 g |
| 2    | 4   | Gland Nut 9/16" | 709100      |          | 132.8 g |
| 3    | 4   | Collar 9/16"    | 719100      |          | 28.9 g  |

General tolerances ISO 2768-1 mK Designs and drawings created and produced by the contractor are the contractor's intellectual property and may only be used for the purposes of the order. Weight 0.80 kg

|            |             |               |
|------------|-------------|---------------|
| Amendment: | Replace for | -             |
|            | Replaced by | -             |
|            | Drawn       | 24.04.2017 AM |

|             |               |       |
|-------------|---------------|-------|
| Cross 9/16" | Scale         | 4 : 3 |
|             | Checked       |       |
|             | Release       |       |
|             | Index-release |       |

Max. 4150 bar / 60,000 psi

**allfi**  
Components

ALLFI AG - RIEDENMATT 1 - CH-6370 STANS  
PHONE +41(0)41-618 05 05  
E-MAIL: sales@allfi.com <http://www.allfi.com>

|        |       |   |                  |   |
|--------|-------|---|------------------|---|
| 409191 | Index | - | Sheet-<br>No.    | 2 |
|        |       |   | No. of<br>sheets | 1 |