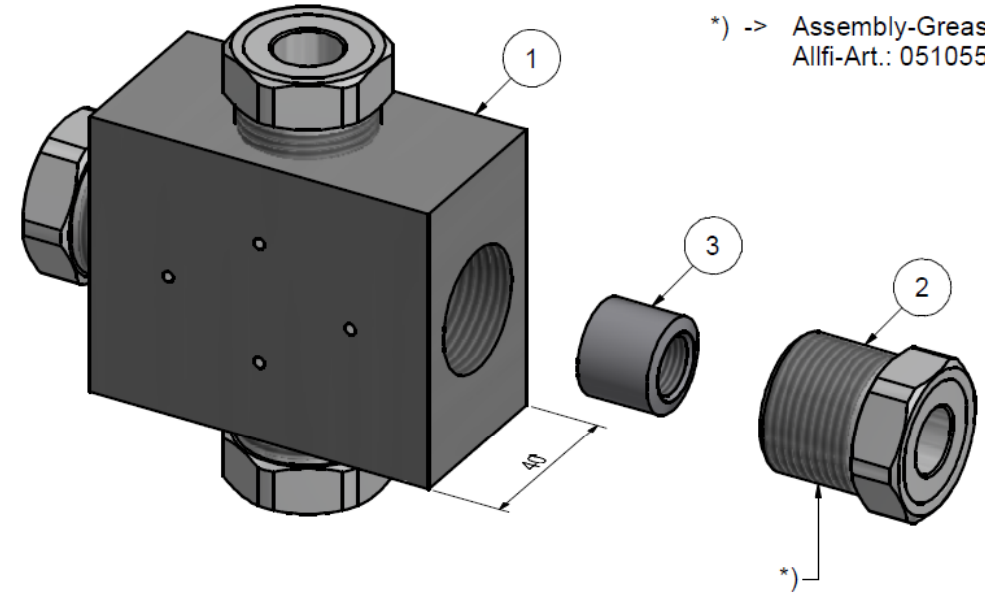
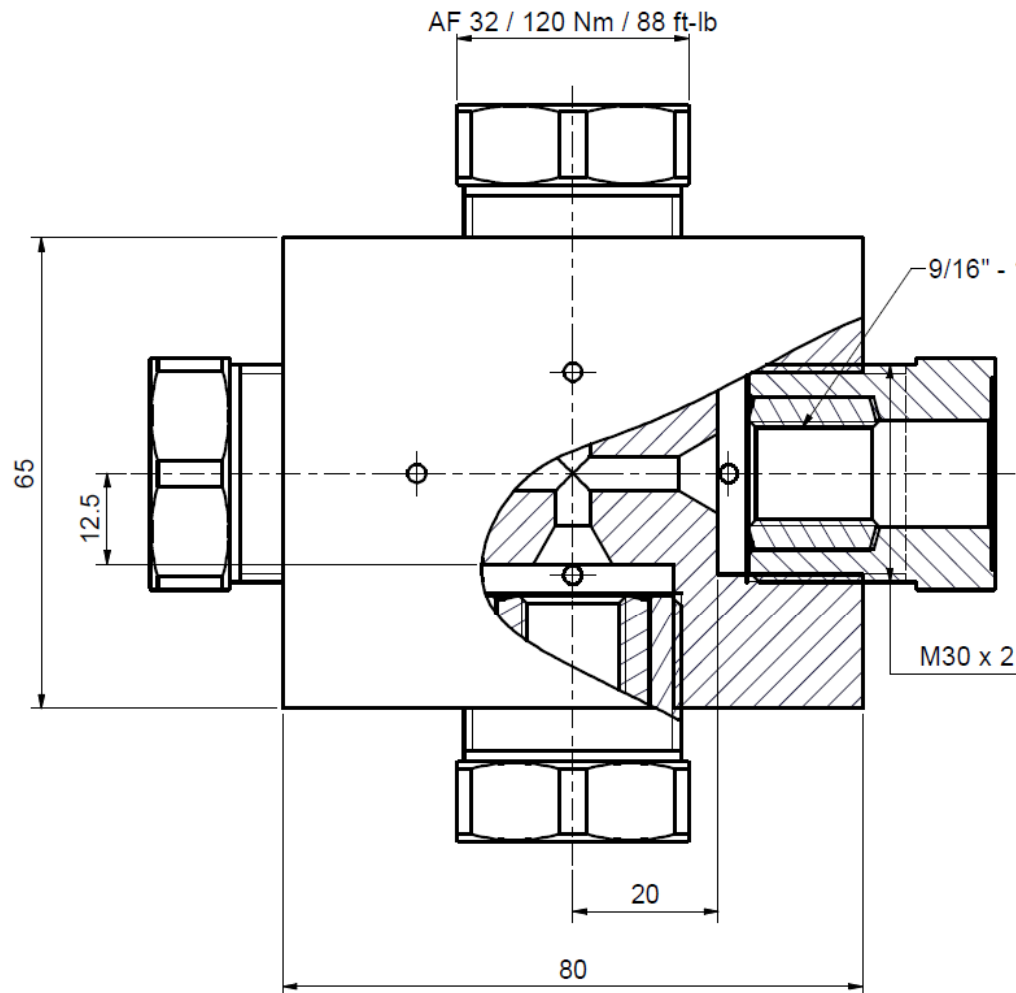


Pressure relief holes must not be covered or closed

*) -> Assembly-Grease DX
Allfi-Art.: 051055



Item	Qty	Description	Part-Number	Comments	Weight
1	1	Cross 9/16"	409191A-P		157.3 g
2	4	Gland Nut 9/16"	709100-P		128 g
3	4	Collar 9/16"	719100		28.9 g

General tolerances ISO 2768-1 mK Designs and drawings created and produced by the contractor are the contractor's intellectual property and may only be used for the purposes of the order. Weight 0,78 kg

Amendment:		Replace for	-
		Replaced by	-
		Drawn	20.04.2017 AM
		Checked	20.04.2017 RB
		Release	
		Index-release	

Cross 9/16"

Scale
4 : 3



ALLFI AG - RIEDENMATT 1 - CH-6370 STANS
PHONE +41(0)41-618 05 05
E-MAIL: sales@allfi.com

http://www.allfi.com

Max. 6200 bar / 90,000 psi

409191-P

Index	-	Sheet- No.	2
		No. of sheets	1