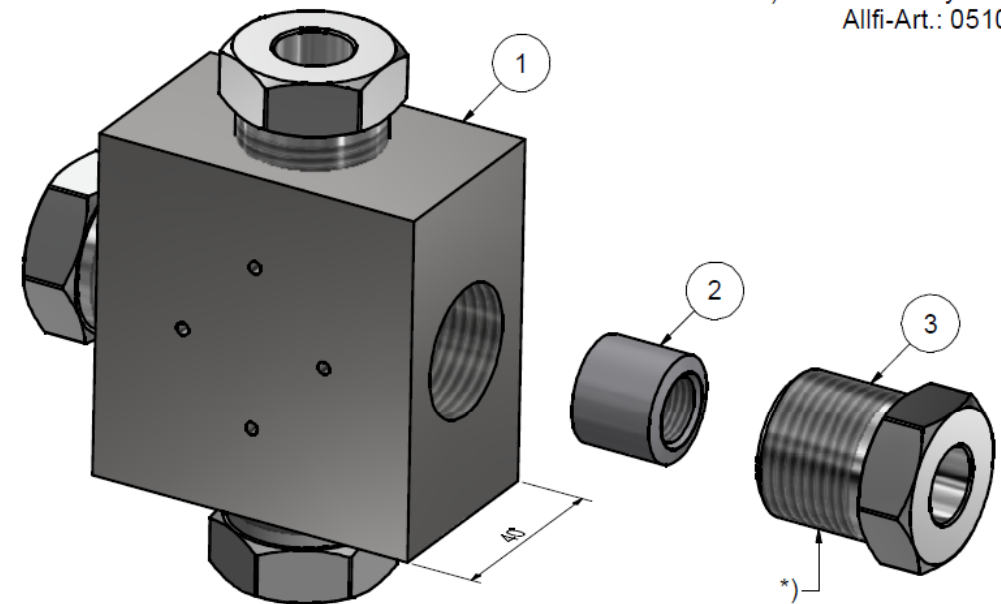
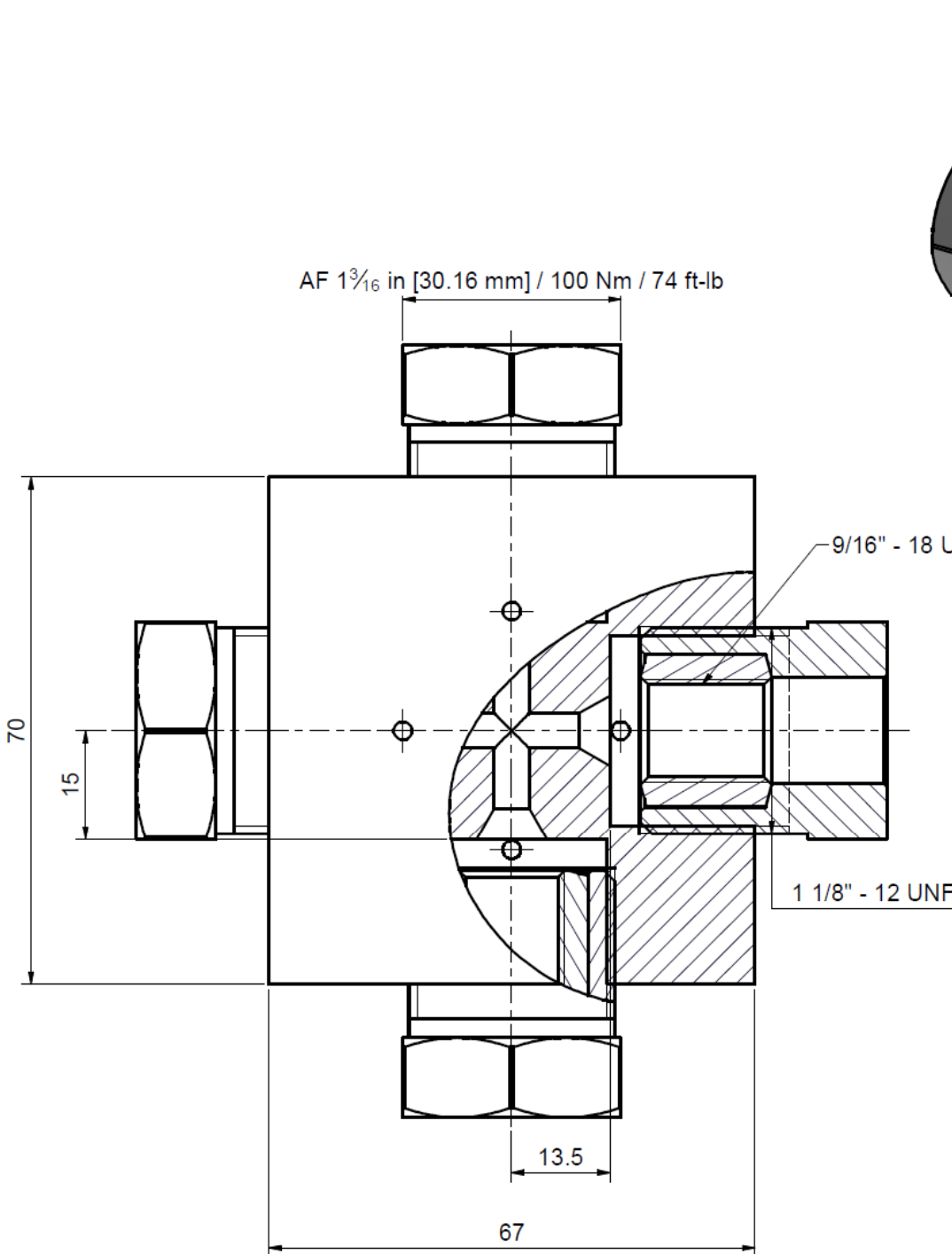


Pressure relief holes must not be covered or closed

*) -> Assembly-Grease DX
Allfi-Art.: 051055



Item	Qt	Description	Part-Numbe	Characteristics	Weight
1	1	Cross 9/16" Imp	409191A-I		142.5 g
2	4	Collar 9/16"	719100		28.9 g
3	4	Gland Nut 9/16" Imp	709107		14.1 g

General tolerances ISO 2768-1 m Designs and drawings created and produced by the contractor are the contractor's intellectual property and may only be used for the purposes of the order. Weight 0.31 kg

Amendment:	Replace for	-
	Replaced by	-
	Drawn	03.08.2017 AM

Cross 9/16" Imp	Scale	3 : 2
	Checked	
	Release	

Max. 4150 bar / 60,000 psi

allfi
SwissQuality

ALLFI AG - RIEDENMATT 1 - CH-6370 STANS
PHONE +41(0)41-618 05 05
E-MAIL: sales@allfi.com <http://www.allfi.com>

409191-I	Index	-	Sheet- No.	2
			No. of sheets	2