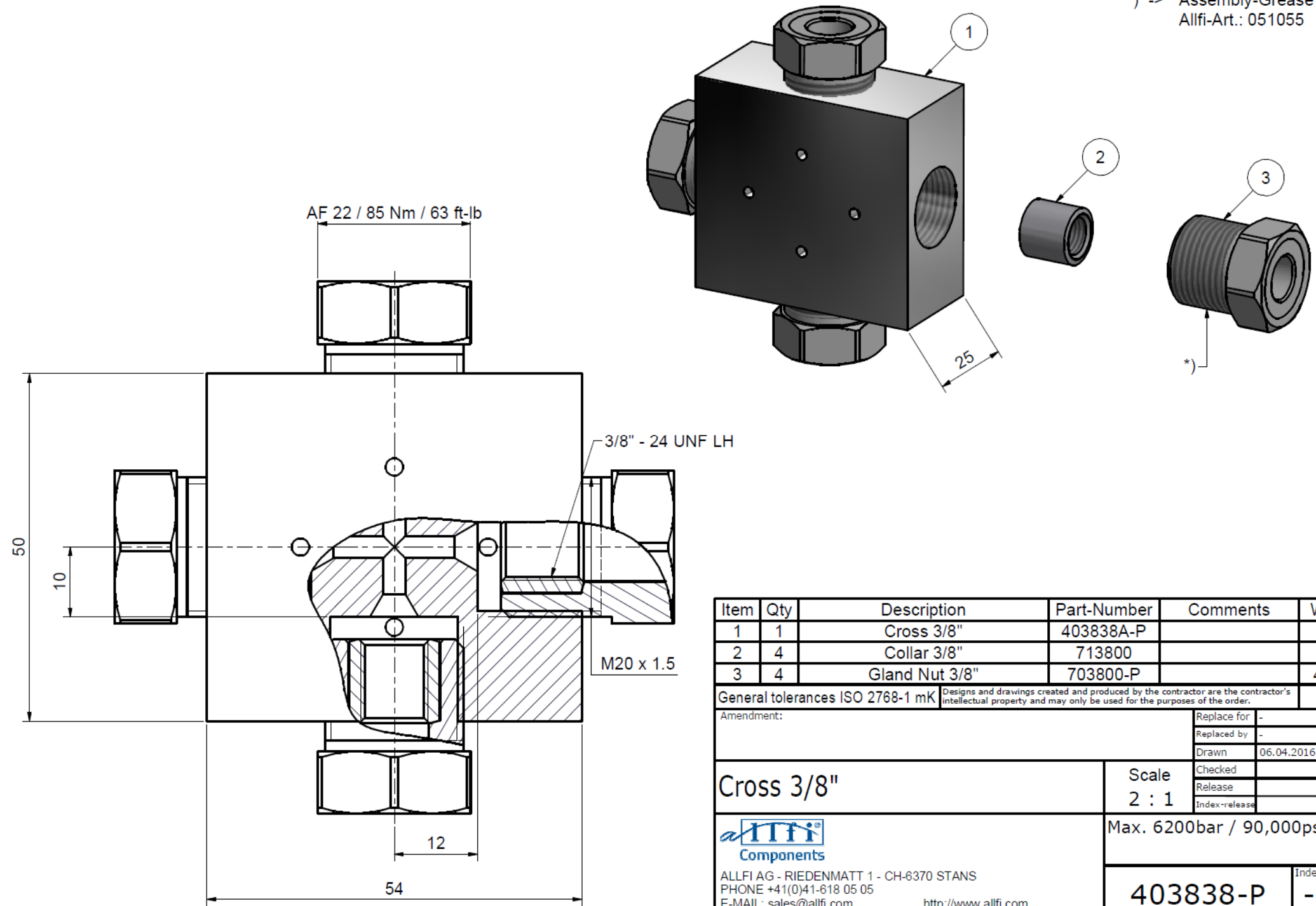


Pressure relief holes must not be covered or closed

*) -> Assembly-Grease DX
Allfi-Art.: 051055



Item	Qty	Description	Part-Number	Comments	Weight
1	1	Cross 3/8"	403838A-P		51 g
2	4	Collar 3/8"	713800		6.8 g
3	4	Gland Nut 3/8"	703800-P		46.1 g

General tolerances ISO 2768-1 mK Designs and drawings created and produced by the contractor are the contractor's intellectual property and may only be used for the purposes of the order. Weight 0.26 kg

Amendment:		Replace for	-
		Replaced by	-
Drawn	06.04.2016	AM	
Cross 3/8"	Scale	2 : 1	
	Checked		
	Release		
	Index-release		

allfi
Components

ALLFI AG - RIEDENMATT 1 - CH-6370 STANS
PHONE +41(0)41-618 05 05
E-MAIL: sales@allfi.com <http://www.allfi.com>

Max. 6200bar / 90,000psi

403838-P	Index	-	Sheet- No.	2
			No. of sheets	2