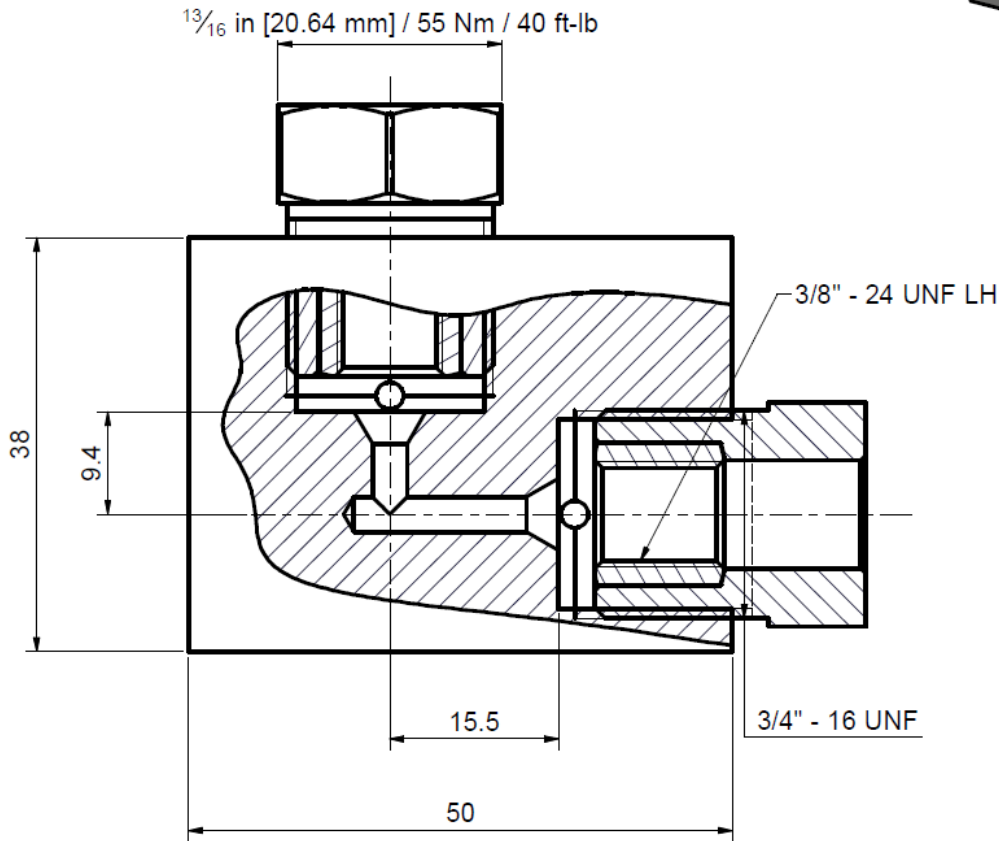
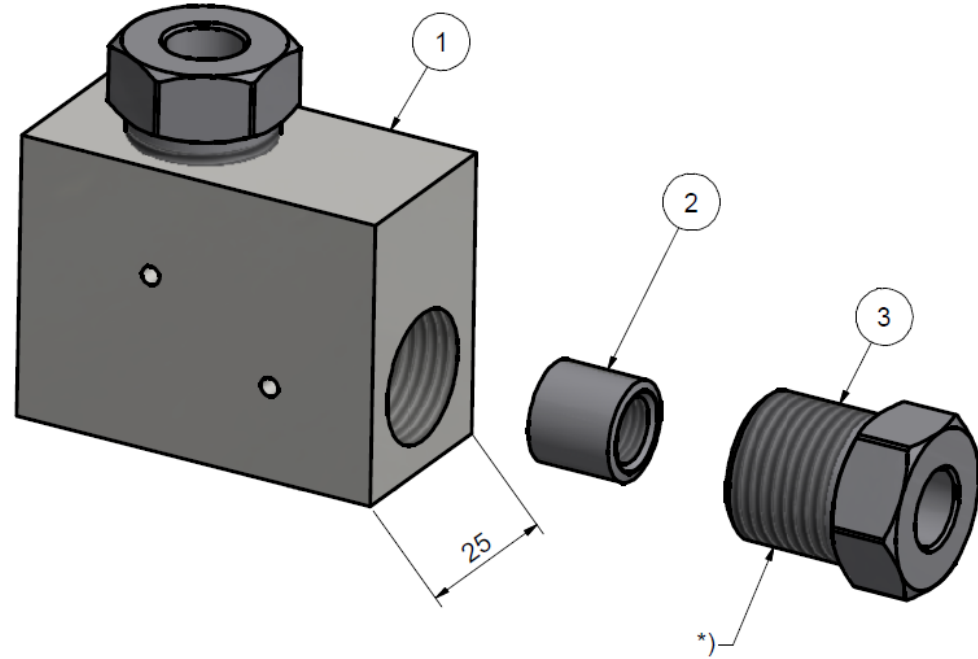


Pressure relief holes must not be covered or closed

\*) -> Assembly-Grease DX  
ALLFI-Art.: 051055



Item	Qty	Description	Part-Number	Comments	Weight
1	1	Elbow 3/8" Imp	203838A-I-P		39.6 g
2	2	Collar 3/8"	713800		6.8 g
3	2	Gland Nut 3/8" Imp	703807		40.8 g

General tolerances ISO 2768-1 m Designs and drawings created and produced by the contractor are the contractor's intellectual property and may only be used for the purposes of the order. Weight 0.13 kg

Amendment:		Replace for	-
		Replaced by	-
		Drawn	18.05.2016 AM
Tee 3/8" Imp		Checked	30.05.2016 BT
		Release	30.05.2016 BT
		Index-release	

Scale 2 : 1

Max. 4'150 bar / 60'000 psi

**allfi**  
Swiss Quality

ALLFI AG - RIEDENMATT 1 - CH-6370 STANS  
PHONE +41(0)41-618 05 05 - TELEFAX +41(0)41-618 05 10  
E-MAIL: sales@allfi.com http://www.allfi.com

203838-I	Index	-	Sheet- No.	2
			No. of sheets	1