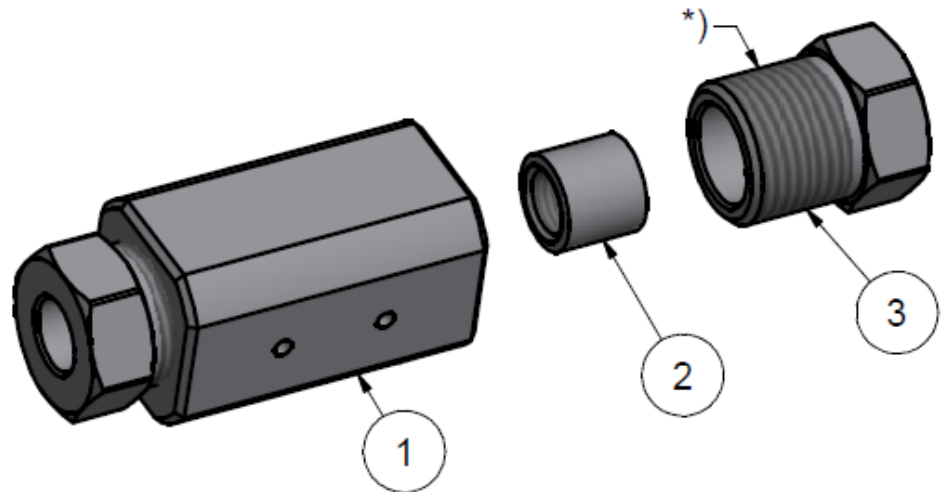
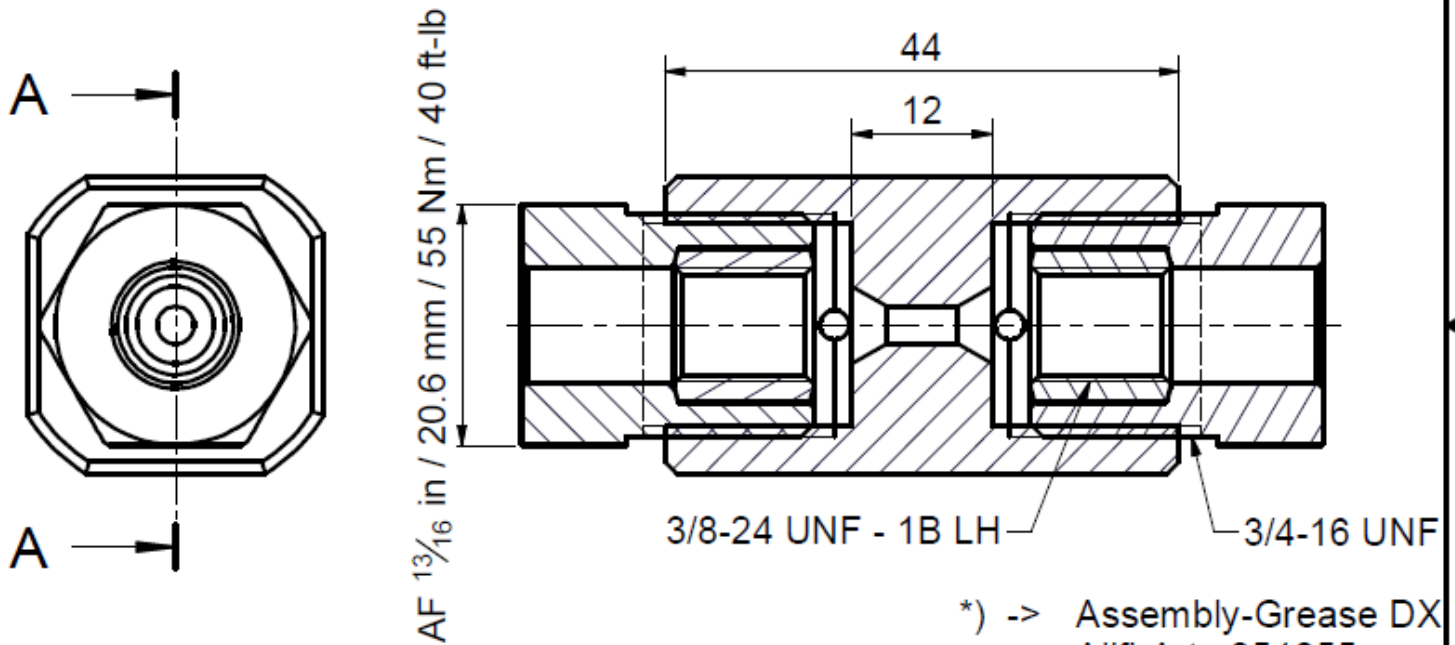


Pressure relief holes must not be covered or closed



Schnitt A-A



*) -> Assembly-Grease DX
Allfi-Art.: 051055

Item	Qty	Description	Part-Number	Comments	Weight
1	1	Straight Coupling 3/8" Imp	103838A-I-P		18.7 g
2	2	Collar 3/8"	713800		6.8 g
3	2	Gland Nut 3/8" Imp	703807		40.8 g

General tolerances ISO 2768-1 mK Designs and drawings created and produced by the contractor are the contractor's intellectual property and may only be used for the purposes of the order. Weight 0.11 kg

Amendment:	Replace for	-
	Replaced by	-
	Drawn	07.02.2017 AM

Straight Coupling 3/8" Imp	Scale	
	3 : 2	
	Checked	
	Release	

<p>ALLFI AG - RIEDENMATT 1 - CH-6370 STANS PHONE +41(0)41-618 05 05 E-MAIL: sales@allfi.com</p>	<p>Max. 4150 bar / 60,000 psi</p>	<p>103838-I</p>	Index	Sheet-	2
			-	No. of sheets	2

http://www.allfi.com