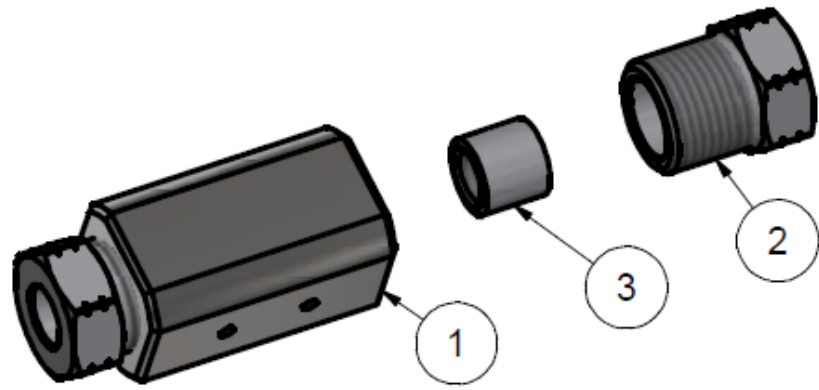
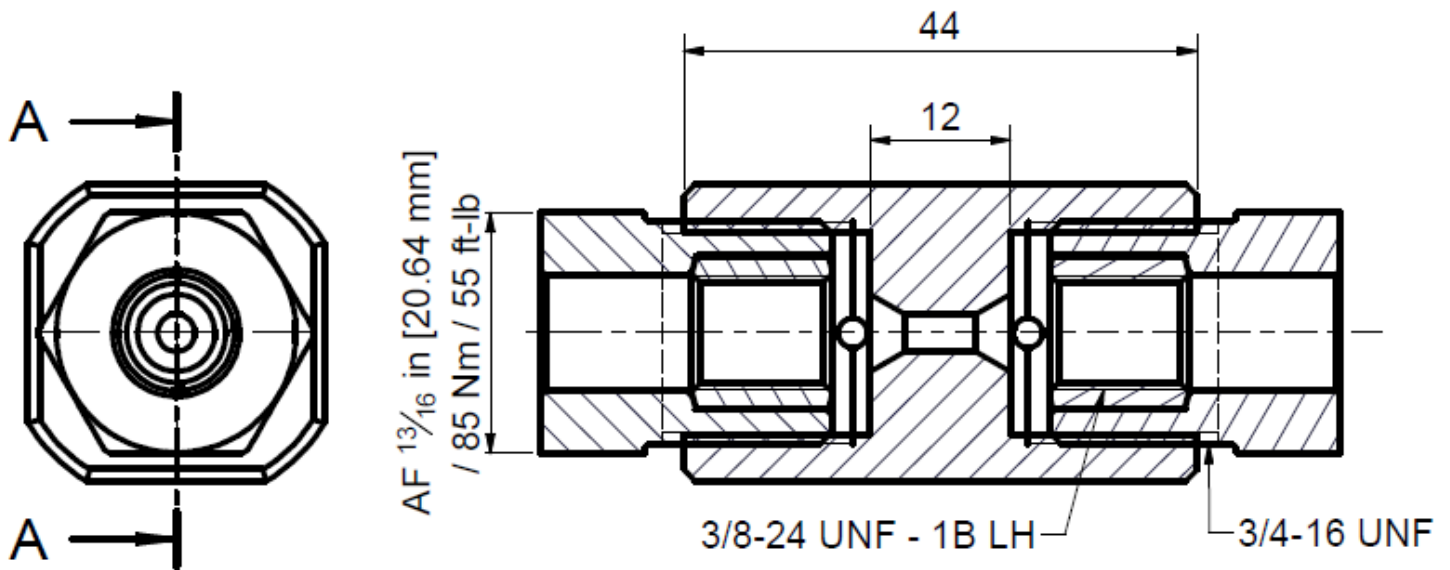


Pressure relief holes must not be covered or closed



Schnitt A-A



\*) -> Assembly-Grease DX  
ALLFI-Art.: 051055

Item	Qty	Description	Part-Number	Comments	Weight
1	1	Straight Coupling 3/8" Imp	103838A-I-P		18.7 g
2	2	Gland Nut 3/8" Imp	703807-I-P		40 g
3	2	Collar 3/8"	713800		6.8 g

General tolerances ISO 2768-1 mK | Designs and drawings created and produced by the contractor are the contractor's intellectual property and may only be used for the purposes of the order. | Weight 0.11 kg

Amendment:

Replace for	-
Replaced by	-
Drawn	14.06.2024 AM
Checked	11.09.2024 PH
Release	11.09.2024 PH
Index-release	

Straight Coupling 3/8" Imp

Scale  
3 : 2

Max 6200 bar / 90,000 psi



ALLFI AG - RIEDENMATT 1 - CH-6370 STANS  
PHONE +41(0)41-618 05 05  
E-MAIL: sales@allfi.com

<http://www.allfi.com>

103838-I-P

Index	-	Sheet- No.	2
		No. of sheets	1