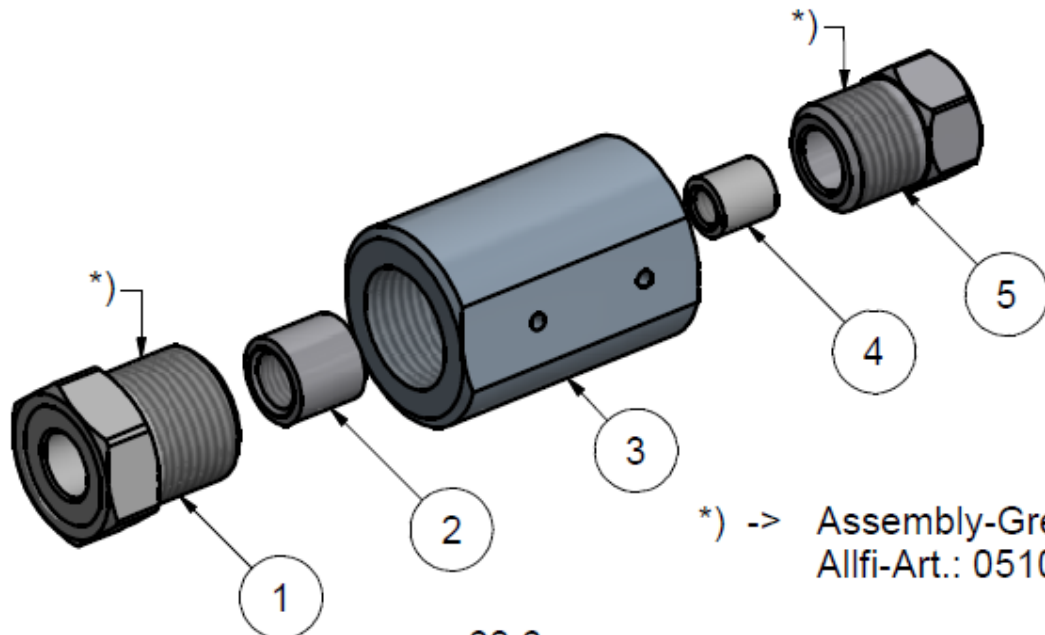
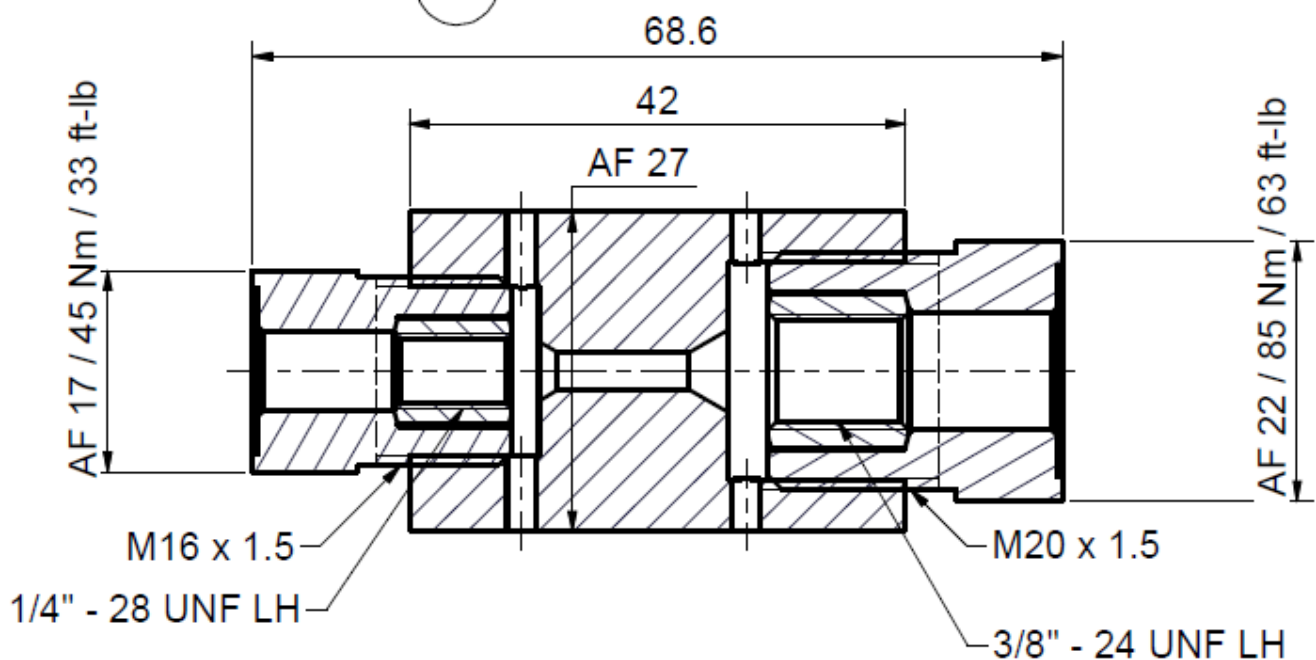


Pressure relief holes must not be covered or closed



*) -> Assembly-Grease DX
Allfi-Art.: 051055



Item	Qty	Description	Part-Number	Comments	Weight
1	1	Gland Nut 3/8"	703800-P		46.1 g
2	1	Collar 3/8"	713800		6.8 g
3	1	Reduction f/f 1/4" - 3/8"	101438A-P		174.9 g
4	1	Collar 1/4"	711403		3.1 g
5	1	Gland Nut 1/4" 90.000psi	701403-P		27.9 g

General tolerances ISO 2768-1 mK

Designs and drawings created and produced by the contractor are the contractor's intellectual property and may only be used for the purposes of the order.

Weight
0.26 kg

Amendment:

Replace for	-
Replaced by	-
Drawn	19.02.2018 AM
Checked	
Release	
Index-release	

Reducer Coupling f/f 1/4" - 3/8"

Scale
3 : 2



ALLFI AG - RIEDENMATT 1 - CH-6370 STANS
PHONE +41(0)41-618 05 05
E-MAIL: sales@allfi.com

<http://www.allfi.com>

Max. 4150 bar / 60,000 psi

101438-P

Index	-	Sheet-No.	2
		No. of sheets	2