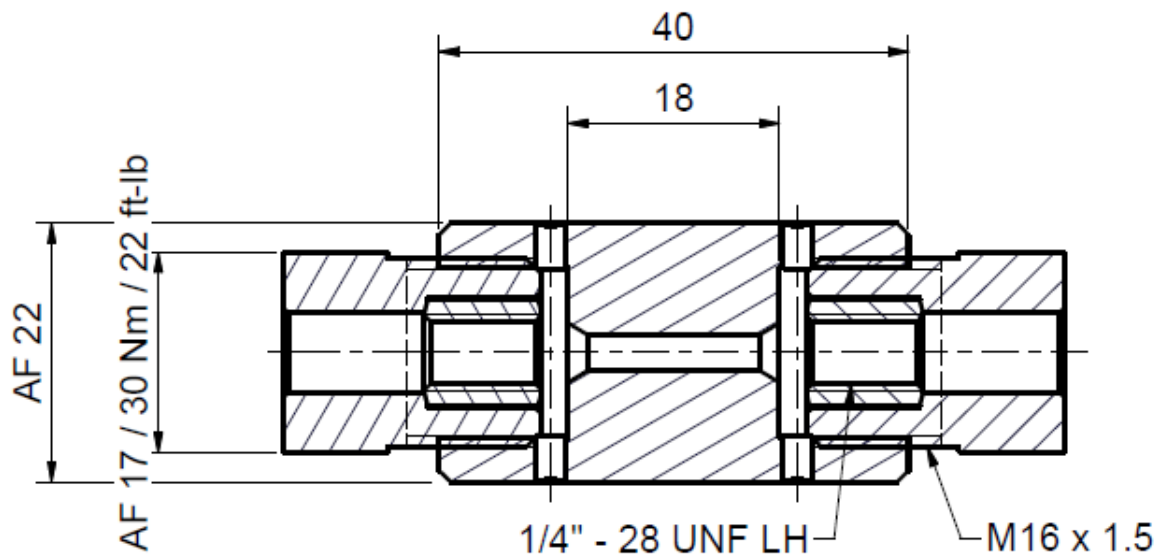
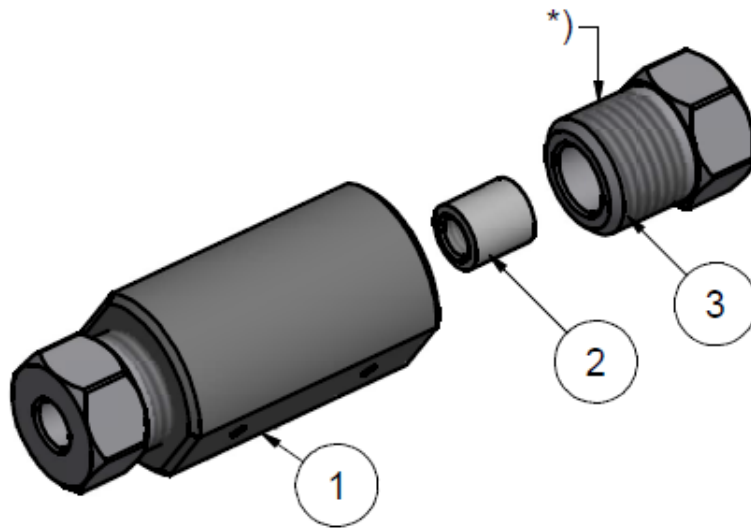


Pressure relief holes must not be covered or closed



*) -> Assembly-Grease DX
Allfi-Art.: 051055

Item	Qty	Description	Part-Number	Comments	Weight
1	1	Straight Coupling 1/4"	101414A-P		14.8 g
2	2	Collar 1/4"	711403		3.1 g
3	2	Gland Nut 1/4"	701403		29.1 g

General tolerances ISO 2768-1 mK

Designs and drawings created and produced by the contractor are the contractor's intellectual property and may only be used for the purposes of the order.

Weight

Amendment:

A) 101414A-P anstelle 101414A

Replace for

-

Replaced by

-

Drawn

20.05.2009

rz

Checked

Release

Index-release

Straight Coupling 1/4"

Scale

3 : 2



ALLFI AG - RIEDENMATT 1 - CH-6370 STANS

PHONE +41(0)41-618 05 05

E-MAIL: sales@allfi.com

http://www.allfi.com

Max. 4150bar / 60,000psi

101414

Index

A

Sheet-

No.

2

No. of

sheets

2