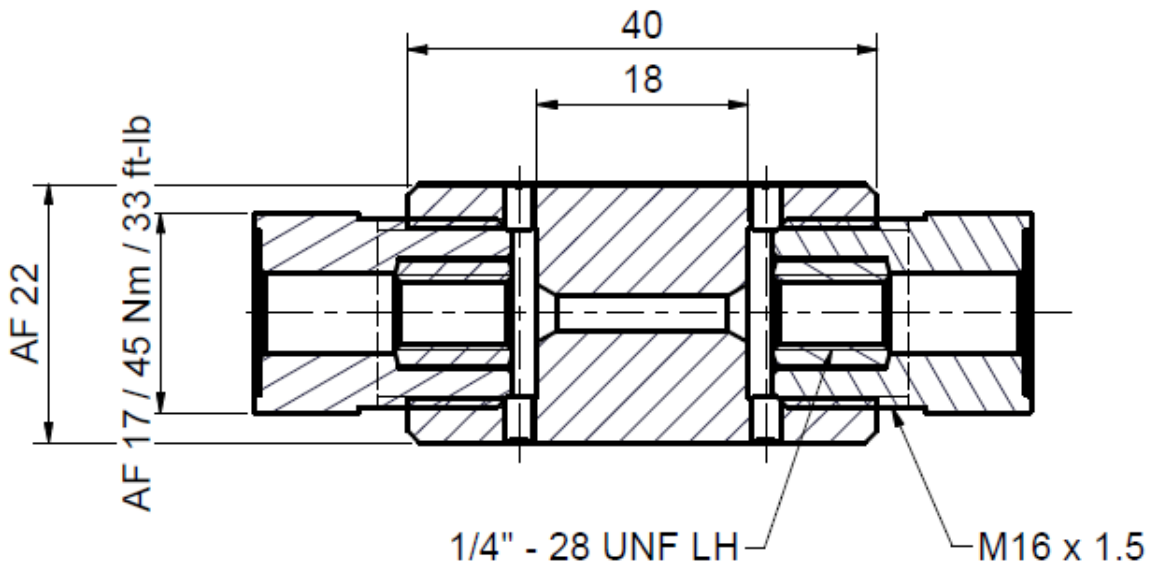
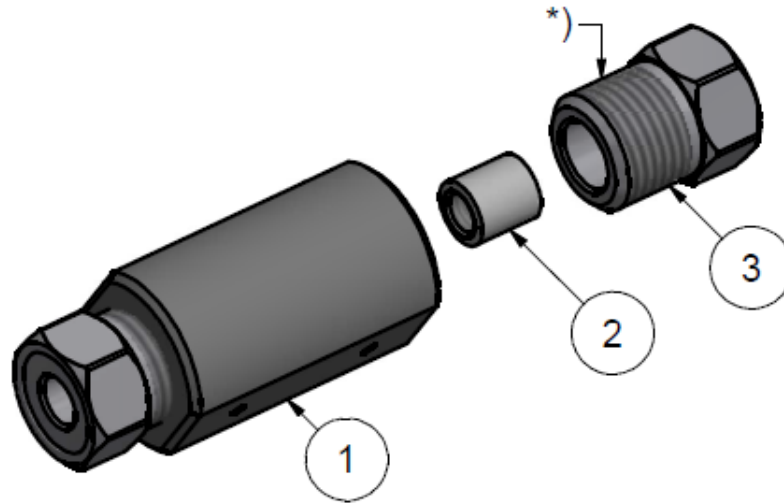


Pressure relief holes must not be covered or closed



*) -> Assembly-Grease DX
Allfi-Art.: 051055

Item	Qty	Description	Part-Number	Comments	Weight
1	1	Straight Coupling 1/4"	101414A-P		14.8 g
2	2	Collar 1/4"	711403		3.1 g
3	2	Gland Nut 1/4" 90.000psi	701403-P		27.9 g

General tolerances ISO 2768-1 mK Designs and drawings created and produced by the contractor are the contractor's intellectual property and may only be used for the purposes of the order. Weight 0.08 kg

Amendment:	Replace for	-
	Replaced by	-
	Drawn	24.08.2016 AM
	Checked	
	Release	
Straight Coupling 1/4"	Scale	3 : 2
	Index-release	

<p>ALLFI AG - RIEDENMATT 1 - CH-6370 STANS PHONE +41(0)41-618 05 05 E-MAIL: sales@allfi.com</p>	Max. 6200bar / 90,000psi						
	101414-P	<table border="1"> <tr> <td>Index</td> <td>-</td> </tr> <tr> <td>Sheet-No.</td> <td>2</td> </tr> <tr> <td>No. of sheets</td> <td>2</td> </tr> </table>	Index	-	Sheet-No.	2	No. of sheets
Index	-						
Sheet-No.	2						
No. of sheets	2						
http://www.allfi.com							