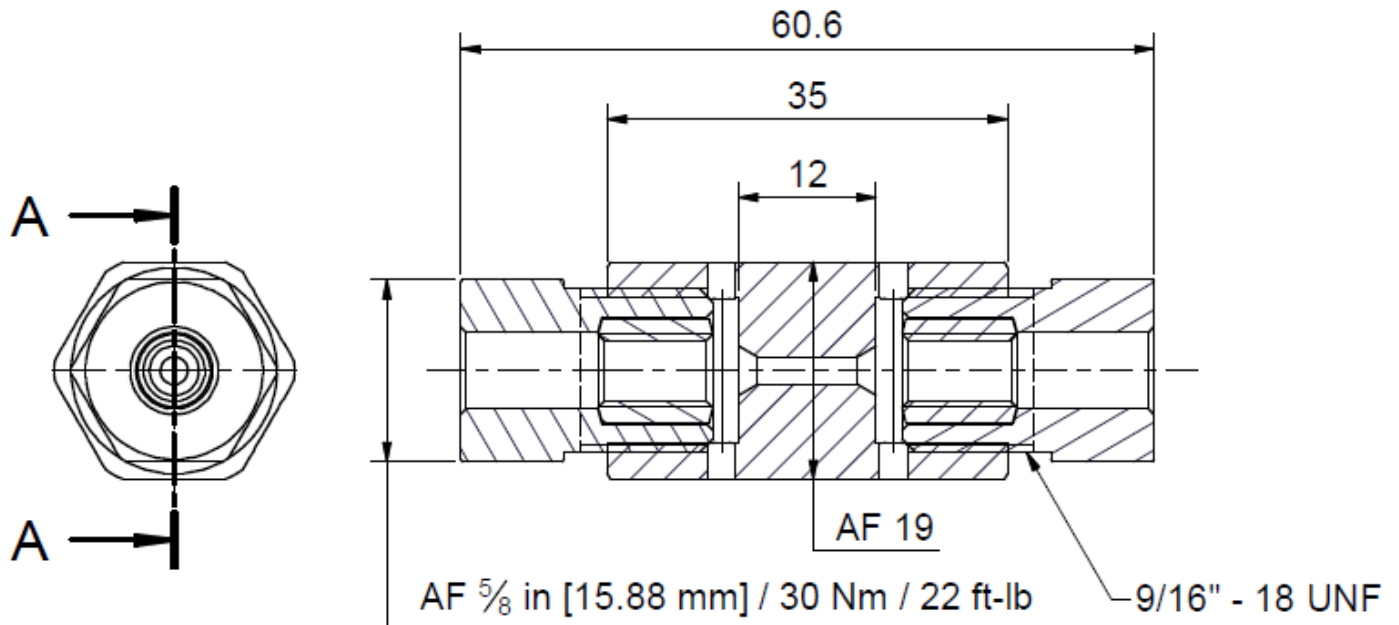
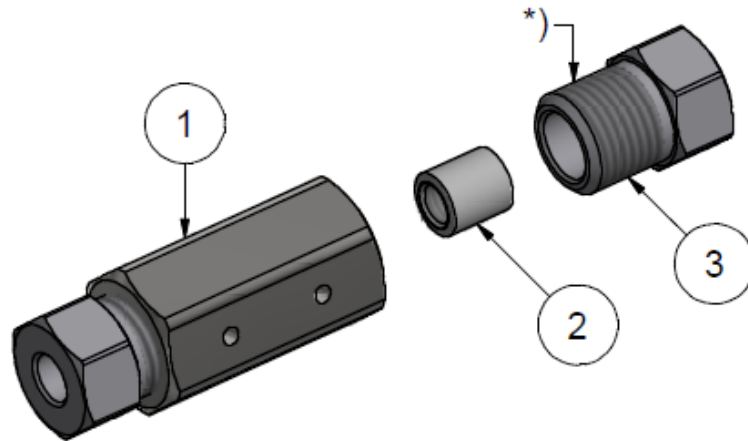


Pressure relief holes must not be covered or closed



*) -> Assembly-Grease DX
Allfi-Art.: 051055

Item	Qty	Description	Part-Number	Comments	Weight
1	1	Straight Coupling Imp	101414A-I		61.9 g
2	2	Collar 1/4"	711403		3.1 g
3	2	Gland Nut 1/4" Imp	701407		22.8 g

General tolerances ISO 2768-1 mK

Designs and drawings created and produced by the contractor are the contractor's intellectual property and may only be used for the purposes of the order.

Weight 0.11 kg

Amendment:

Replace for	-
Replaced by	-
Drawn	17.10.2016 AM
Checked	
Release	
Index-release	

Straight Coupling 1/4" Imp

Scale
3 : 2



ALLFI AG - RIEDENMATT 1 - CH-6370 STANS
PHONE +41(0)41-618 05 05
E-MAIL: sales@allfi.com

<http://www.allfi.com>

Max. 4150bar / 60,000psi

101414-I

Index	-	Sheet- No.	2
		No. of sheets	2